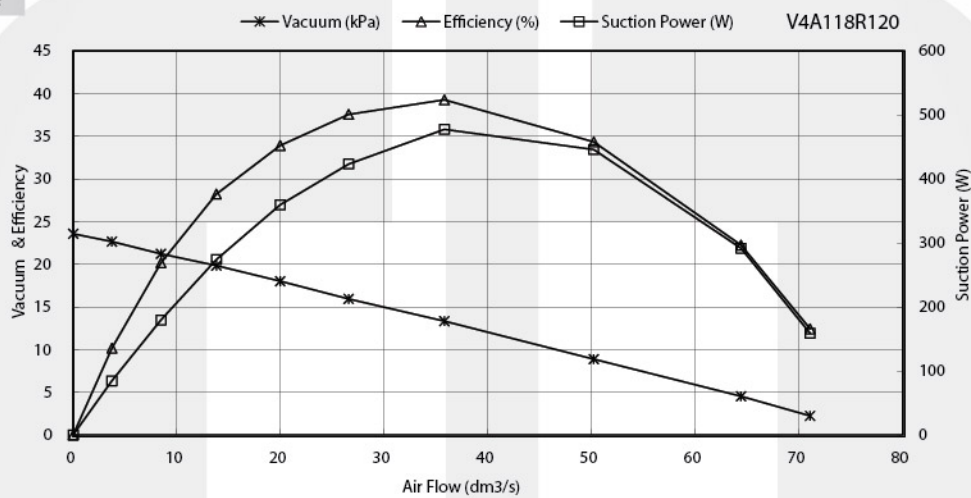




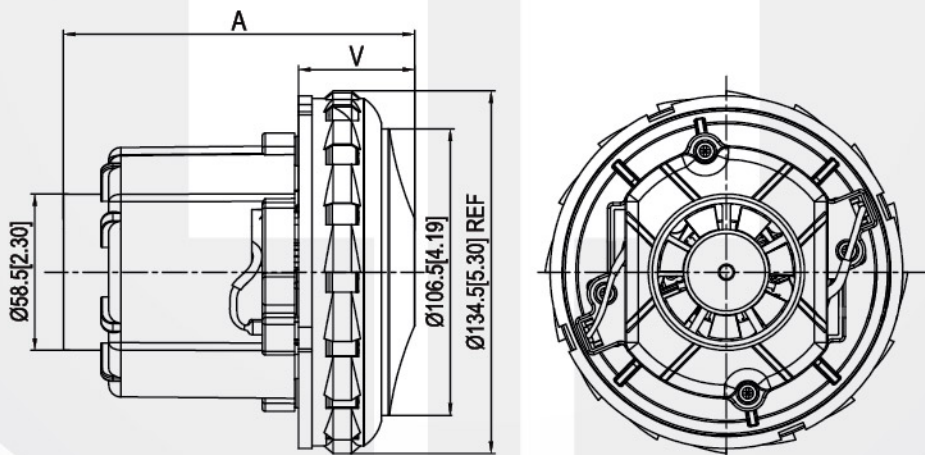
## VC Motor - V4 By Pass Series

Voltage : 100 - 240V AC (50/60Hz)  
 Rated Speed : 23,000 - 48,000rpm  
 Rated Input Power : 400 - 1,500W  
 Blower Diameter : Ø130mm[5.12inch]  
 Stage : Single  
 Suction : 23.0KPa [90.73in-H2O]  
 Volume Flow Rate : 70.0dm<sup>3</sup>/s [148.4CFM]  
 Typical Application : Vacuum Cleaner

### Performance Curve



### Dimension (mm[inch])



### Performance (testing under room temperature)

Model	Dim A mm[inch]	Dim V mm[inch]	Stage	Rated Input Power (W)	Maximum		
					Suction KPa[in-H2O]	Output Power (W)	Volume Flow Rate (dm <sup>3</sup> /s[CFM])
<b>V4A122</b>	131.50[5.18]	43.50[1.71]	Single	1,200	23.0[90.73]	500	70.0[148.40]

The information above is for reference only, detailed specification is subject to final confirmation