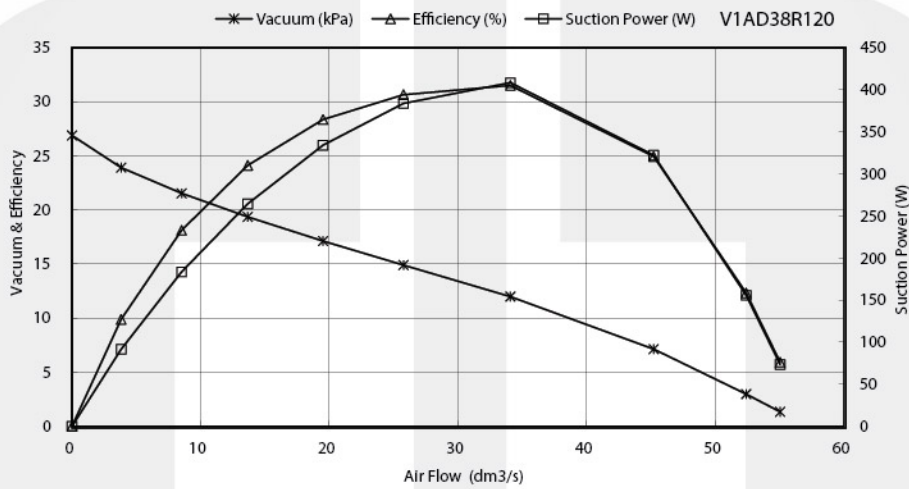




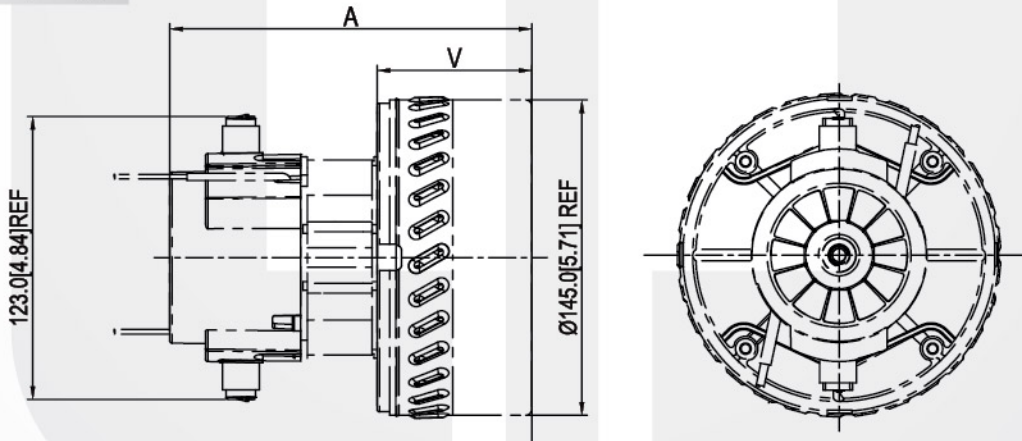
VC Motor - V1 By Pass Series

Voltage : 100-240V AC (50/60Hz), 12-36V DC
 Rated Speed : 14,000 - 30,000rpm
 Rated Input Power : 300 - 1,400W
 Blower Diameter : \varnothing 143.3-151.0mm[5.64-5.94inch]
 Stage : Single, Double
 Suction : 25.50KPa [102.36in-H₂O]
 Volume Flow Rate : 65.0dm³/s [137.73CFM]
 Typical Application : Vacuum Cleaner

Performance Curve



Dimension (mm[inch])



Performance (testing under room temperature)

| Model | Dim A mm[inch] | Dim V mm[inch] | Stage | Rated Input Power (W) | Maximum | | |
|--------|-------------------|-------------------|--------|--------------------------|-------------------------------------|---------------------|---|
| | | | | | Suction KPa[in-H ₂ O] | Output Power (W) | Volume Flow Rate (dm ³ /s[CFM]) |
| V1AS25 | 136.5[5.37] | 50.0[1.97] | Single | 1100 | 16.67[66.93] | 330 | 63.5[134.55] |
| V1AD25 | 163.0[6.42] | 69.0[2.72] | Double | 1200 | 25.50[102.36] | 385 | 53.5[113.36] |
| V1AD38 | 175.0[6.89] | 69.0[2.72] | Double | 1300 | 24.52[98.43] | 450 | 65.0[137.73] |
| V1BD38 | 175.0[6.89] | 69.0[2.72] | Double | 1200 | 24.52[98.43] | 405 | 55.0[116.54] |

The information above is for reference only, detailed specification is subject to final confirmation

Email: sales@cclmotors.com Website: <http://www.cclmotors.com>
4/F, No. 6, On Lok Mun Street, On Lok Tsuen, Fanling, N.T., Hong Kong.

Tel: (852) 3125 0000 Fax: (852) 3125 0125