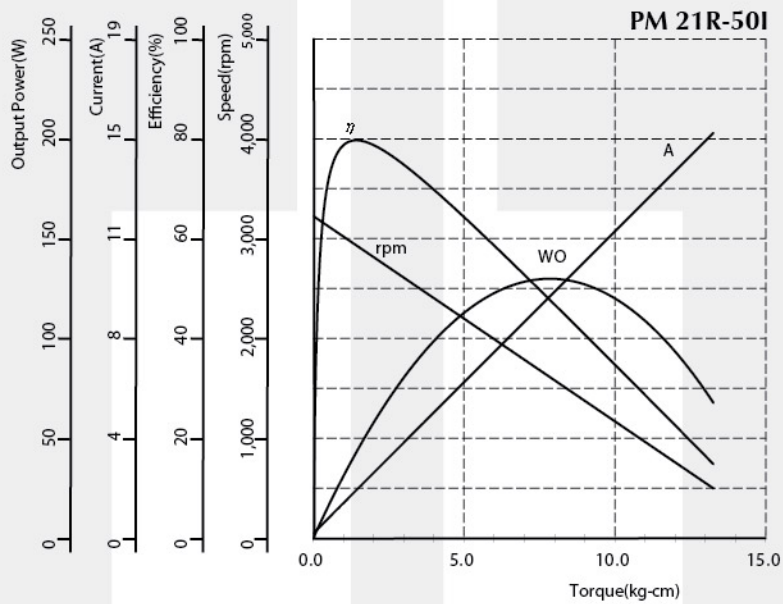


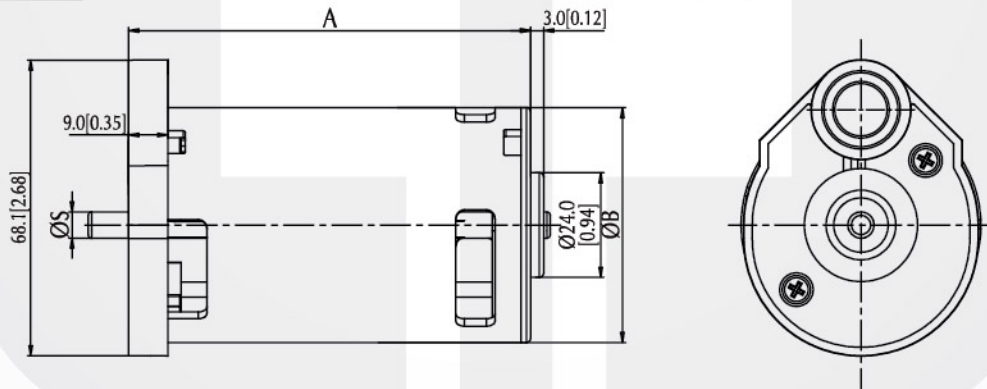
Industrial PMDC Motor - PM21R Series

Voltage : 12 - 120V DC
 Rated Speed : 2,000 - 16,400rpm
 Rated Torque : 1.52 - 1.91kg-cm[1.32 - 1.66lb-in]
 Rated Input Power : 24 - 300W
 Insulation Class : A, E, B
 Motor Diameter : Ø54.5mm[2.15inch]
 Typical Application : Air/Water Pump, Stamping Machine, TV Stand, Electric Drill, Drilling Machine

Performance Curve



Dimension (mm[inch])



Performance (testing under room temperature)

Model	Dim A mm[inch]	Dim B mm[inch]	Dim S mm[inch]	Rated Voltage (V DC)	No Load		At Maximum Efficiency				Maximum Power			
					Speed (rpm)	Current (A)	Speed (rpm)	Current (A)	Torque (kg-cm[lb-in])	Output (W)	Speed (rpm)	Current (A)	Torque (kg-cm[lb-in])	Output (W)
PM21R-29F	88.3[3.48]	54.5[2.15]	8.0[0.31]	12	20,907	9.28	17,144	38.12	1.53[1.33]	269.4	10,453	89.38	4.25[3.69]	456.2
PM21R-33I	90.2[3.55]	54.5[2.15]	8.0[0.31]	24	16,564	3.0	13,913	14.12	1.52[1.32]	217.2	8,281	37.7	4.73[4.11]	402
PM21R-50I	110.2[4.34]	54.5[2.15]	8.0[0.31]	30	3,227	0.18	2,904	1.96	1.57[1.36]	46.8	1,613	9.07	7.84[6.80]	130
PM21R-50J	108.7[4.28]	54.5[2.15]	8.0[0.31]	100	4,652	0.1	4,187	1.02	1.91[1.66]	82.1	2,326	4.71	9.56[8.28]	228.4

The information above is for reference only, detailed specification is subject to final confirmation