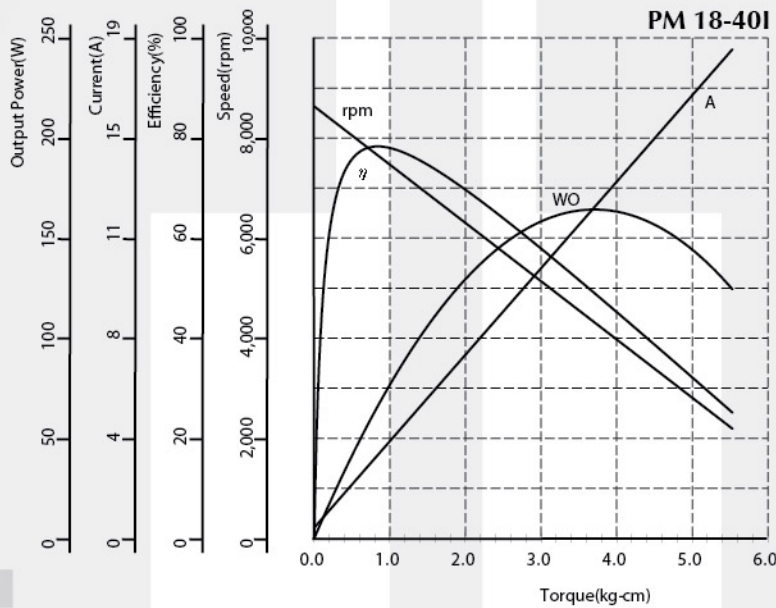




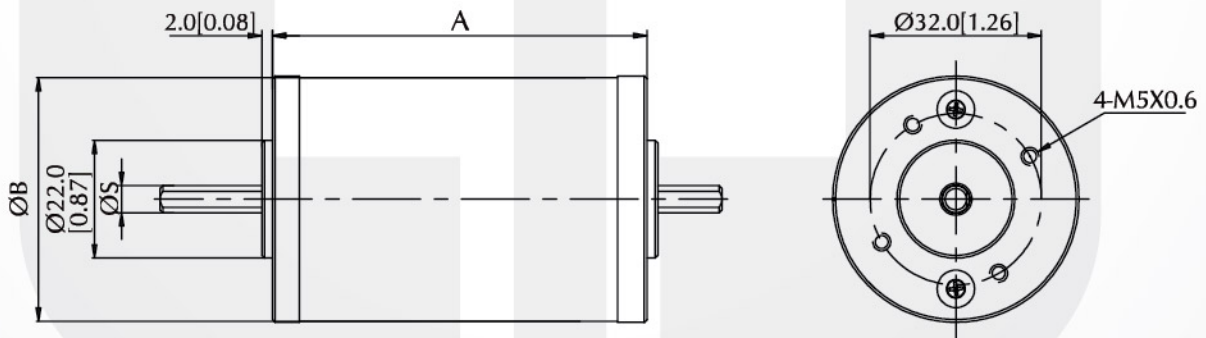
Industrial PMDC Motor - PM18R Series

Voltage : 12 - 48V DC / 100 - 250V DC
 Rated Speed : 2,000 - 6,000rpm
 Rated Torque : 0.12 - 0.54kg-cm[0.10 - 0.47lb-in]
 Rated Input Power : 10 - 130W
 Insulation Class : A, E, B
 Motor Diameter : Ø45.3mm[1.78inch]
 Typical Application : Air/Water Pump, Stamping Machine

Performance Curve



Dimension (mm[inch])



Performance (testing under room temperature)

Model	Dim A mm[inch]	Dim B mm[inch]	Dim S mm[inch]	Rated Voltage (V DC)	No Load		At Maximum Efficiency				Maximum Power			
					Speed (rpm)	Current (A)	Speed (rpm)	Current (A)	Torque (kg-cm[lb-in])	Output (W)	Speed (rpm)	Current (A)	Torque (kg-cm[lb-in])	Output (W)
PM18R-20Q	78.7[3.10]	45.3[1.78]	5.0[0.20]	220	4,203	0.02	2,640	0.042	0.12[0.10]	3.25	1,706	0.06	0.62[0.54]	10.86
PM18R-20J	78.7[3.10]	45.3[1.78]	5.0[0.20]	100	4,297	0.05	3,695	0.15	0.27[0.23]	10.25	2,180	0.42	0.84[0.73]	18.8
PM18R-20I	66.0[2.60]	45.3[1.78]	5.0[0.20]	24	6,500	0.30	5,436	1.3	0.37[0.32]	20.66	3,192	3.44	1.11[0.96]	36.4
PM18R-40I	100.0[4.0]	45.3[1.78]	5.0[0.20]	27	8,634	0.40	8,005	2.15	0.54[0.47]	44.4	4,317	12.4	3.70[3.20]	164

The information above is for reference only, detailed specification is subject to final confirmation

Email: sales@cclmotors.com Website: <http://www.cclmotors.com>
 4/F, No. 6, On Lok Mun Street, On Lok Tsuen, Fanling, N.T., Hong Kong.

Tel: (852) 3125 0000 Fax: (852) 3125 0125