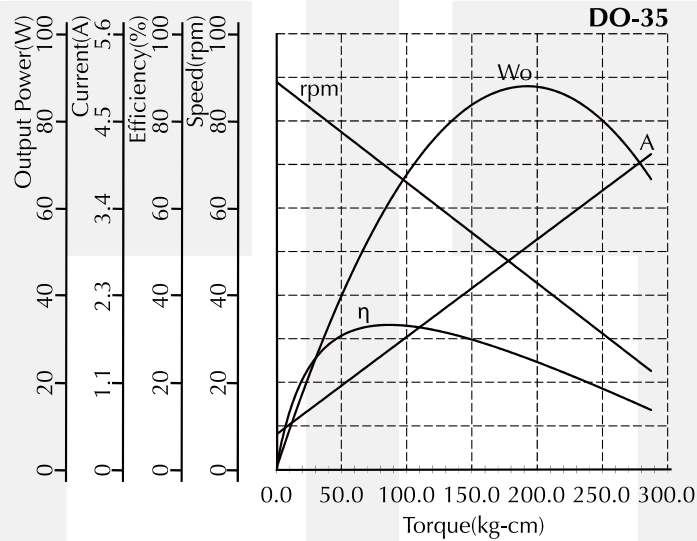




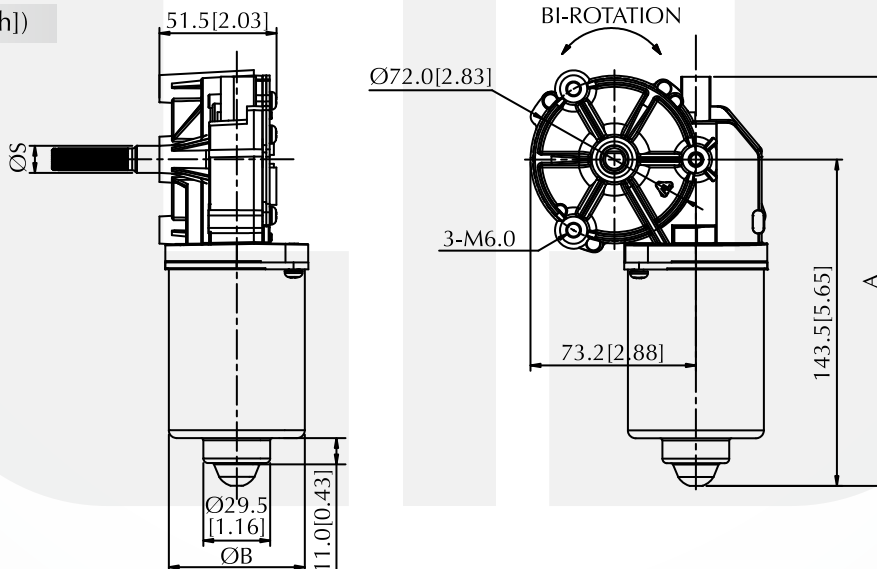
Gear Motor – High Voltage-DO Series

Voltage : 100 - 120V AC (FULL WAVE RECTIFICATION)
 Rated Speed : 40 - 100rpm
 Roted Input Power : 60 - 220W
 Gear Ratio : 63:1
 Roted Torque : 90.0 kg-cm[78.3lb-in]
 Motor Diameter : Ø60mm[2.36inch]
 Typical Application : Garage Door Opener

Performance Curve



Dimension (mm[inch])



Performance (testing under room temperature)

Model	Dim A mm[inch]	Dim B mm[inch]	Dim S mm[inch]	Gear Ratio	Rated Voltage (V DC)	No Load		At Maximum Efficiency				Maximum Power		
						Speed (rpm)	Current (A)	Torque (kg-cm[lb-in])	Speed (rpm)	Current (A)	Output (W)	Effc'y (%)	Torque (kg-cm[lb-in])	Current (A)
DO-35	180.0[7.09]	60.0[2.36]	12.0[0.47]	63:1	120	89	0.45	86.5[75.08]	69	1.54	61.2	33.2	191.4[166.14]	87.5

The information above is for reference only, detailed specification is subject to final confirmation

Email: sales@cclmotors.com Website: <http://www.cclmotors.com>
5/F, No. 6, On Lok Mun Street, On Lok Tsuen, Fanling, N.T., Hong Kong.

Tel: (852) 3125 0000 Fax: (852) 3125 0125