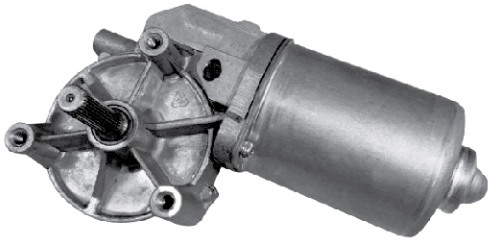
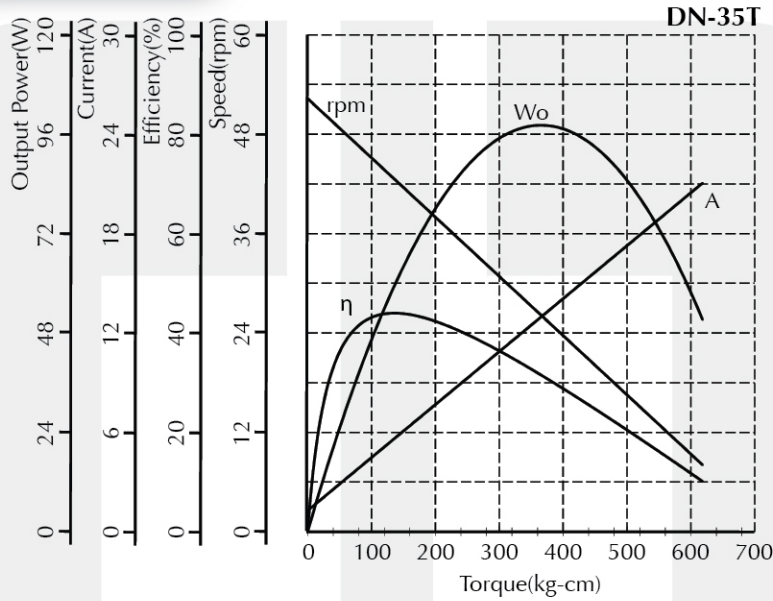


# Gear Motor – Low Voltage-DN Series

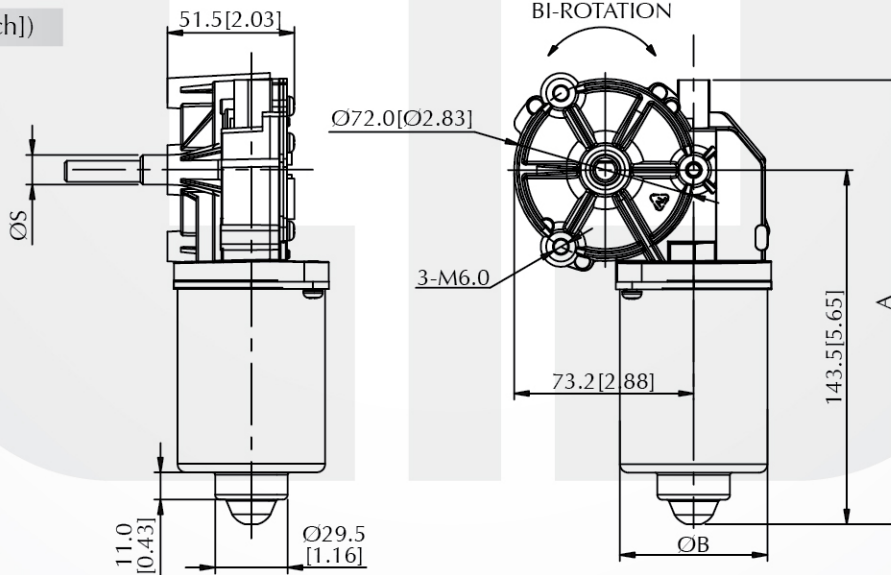


Voltage : 12 - 36V DC  
 Rated Speed : 40 - 150rpm  
 Rated Input Power : 5 - 60W  
 Gear Ratio : 63:1  
 Rated Torque : 50kg-cm[43.4lb-in]  
 Motor Diameter : Ø60mm[2.36inch]  
 Typical Application : Medical Bed

Performance Curve



Dimension (mm[inch])



Performance (testing under room temperature)

Model	Dim A mm[inch]	Dim B mm[inch]	Dim S mm[inch]	Gear Ratio	Rated Voltage (V DC)	No Load		At Maximum Efficiency				Maximum Power		
						Speed (rpm)	Current (A)	Torque (kg-cm[lb-in])	Speed (rpm)	Current (A)	Output (W)	Eff'c'y (%)	Torque (kg-cm[lb-in])	Current (A)
<b>DN-35T</b>	177.5[6.99]	60.0[2.36]	10.0[0.39]	63:1	24	52	1.3	130[112.84]	43	5.44	57.04	44.0	365[316.82]	13.0

The information above is for reference only, detailed specification is subject to final confirmation