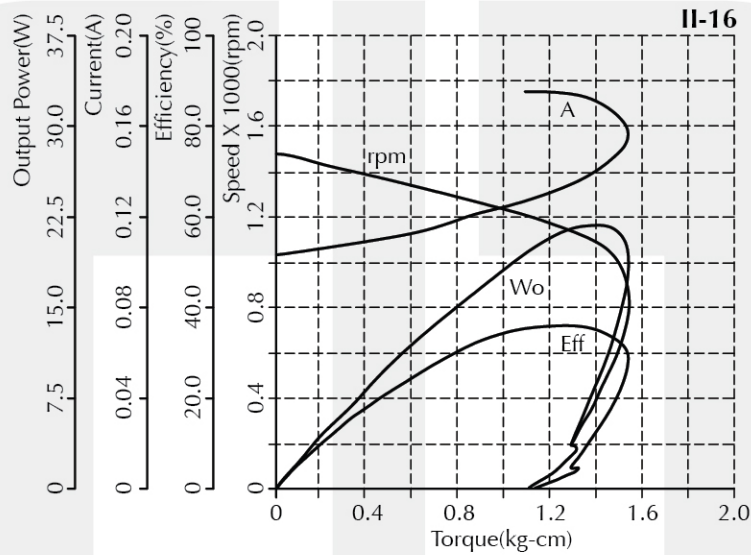


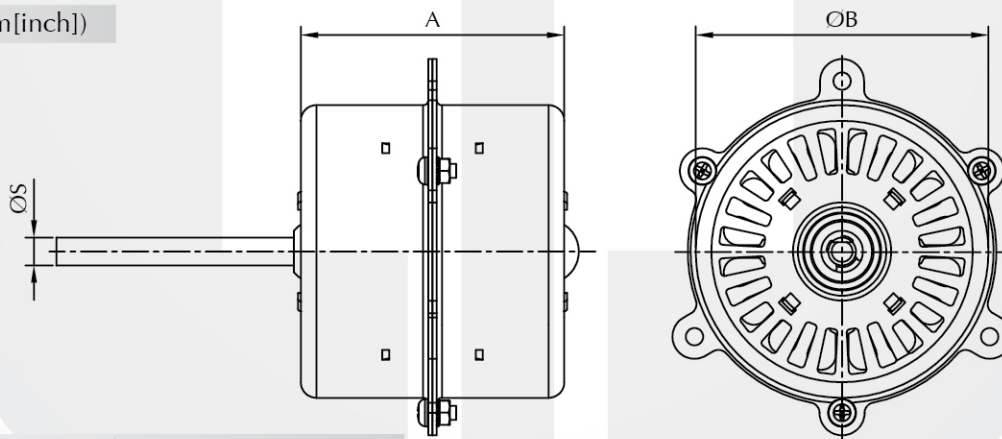
## Induction Motor - II Series

Voltage : 100 - 240V AC (50/60Hz)  
 Rated Speed : 3,300rpm (2pole), 1,400rpm (4pole)  
 Rated Output Power: 12 - 33W  
 Insulation Class : A, E, B, F  
 Motor Diameter : Ø84.4mm[3.32inch]  
 Typical Application : Air Purifier / Freshener

Performance Curve



Dimension (mm[inch])



Performance (testing under room temperature)

Model	Dim A mm[inch]	Dim B mm[inch]	Dim S mm[inch]	2 Pole			4 Pole		
				Rated Input Power (W)	Rated Output Power (W)	Breakdown Torque (kg-cm[lb-in])	Rated Input Power (W)	Rated Output Power (W)	Breakdown Torque (kg-cm[lb-in])
II-12	64 [2.52]	84.4 [3.32]	8.0 [0.31]	35	15	0.6 [0.52]	40	12	1.2 [1.04]
II-16	76 [2.99]	84.4 [3.32]	8.0 [0.31]	48	20	0.8 [0.70]	50	15	1.5 [1.31]
II-21	76 [2.99]	84.4 [3.32]	8.0 [0.31]	60	25	1.0 [0.87]	60	18	1.8 [1.57]
II-25	76 [2.99]	84.4 [3.32]	8.0 [0.31]	72	33	1.5 [1.31]	70	21	2.1 [1.83]
II-28	79.2 [3.12]	84.4 [3.32]	6.0 [0.24]	80	36	1.8 [1.58]	76	30	2.4 [2.09]
II-45	103 [4.06]	86 [3.39]	9.53 [0.38]	125	62	5.0 [4.38]	120	58	6.5 [5.66]

The information above is for reference only, detailed specification is subject to final confirmation