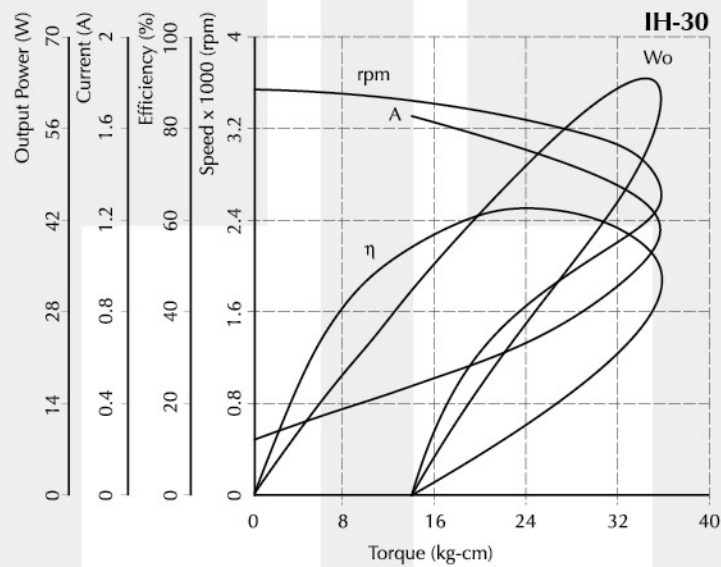




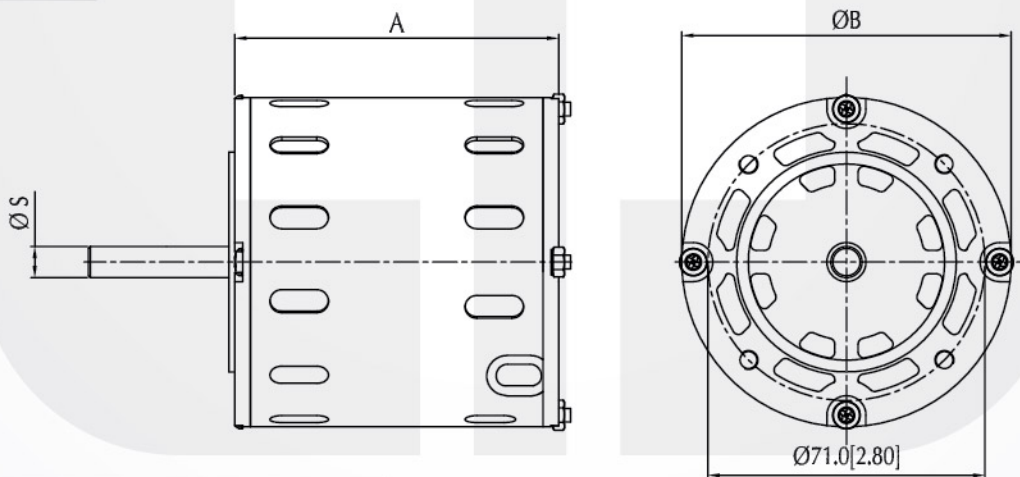
Induction Motor - IH Series

Voltage : 100 - 240V AC (50/60Hz)
 Rated Speed : 3,300rpm (2pole), 1,400rpm (4pole)
 Rated Output Power: 50 - 70W
 Insulation Class : A, E, B, F
 Motor Diameter : $\varnothing 84\text{mm}$ [3.31inch]
 Typical Application : Food Processor, Garage Door Opener, Pump

Performance Curve



Dimension (mm[inch])



Performance (testing under room temperature)

Model	Dim A mm[inch]	Dim B mm[inch]	Dim S mm[inch]	2 Pole			4 Pole		
				Rated Input Power (W)	Rated Output Power (W)	Breakdown Torque (kg-cm[lb-in])	Rated Input Power (W)	Rated Output Power (W)	Breakdown Torque (kg-cm[lb-in])
IH-30	83 [3.27]	84 [3.31]	8.0 [0.31]	80	50	0.7 [0.61]	75	50	0.8 [0.70]
IH-35	89 [3.50]	84 [3.31]	8.0 [0.31]	100	55	1.0 [0.87]	95	55	1.2 [1.04]
IH-45	95 [3.74]	84 [3.31]	8.0 [0.31]	120	70	1.3 [1.13]	115	70	1.5 [1.31]

The information above is for reference only, detailed specification is subject to final confirmation