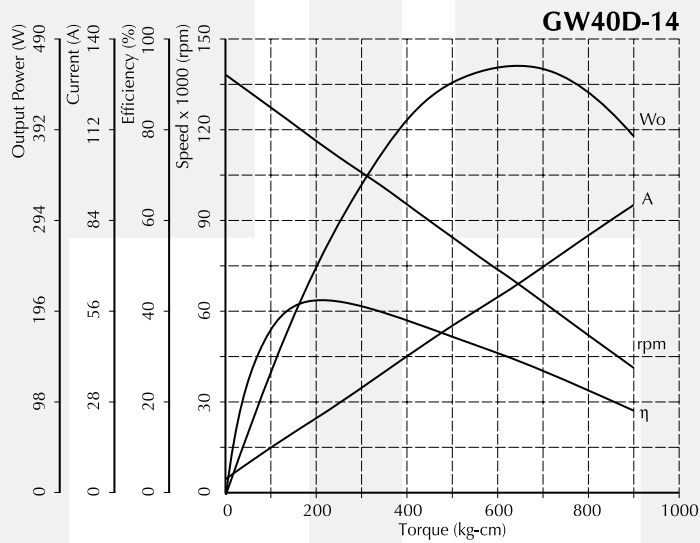




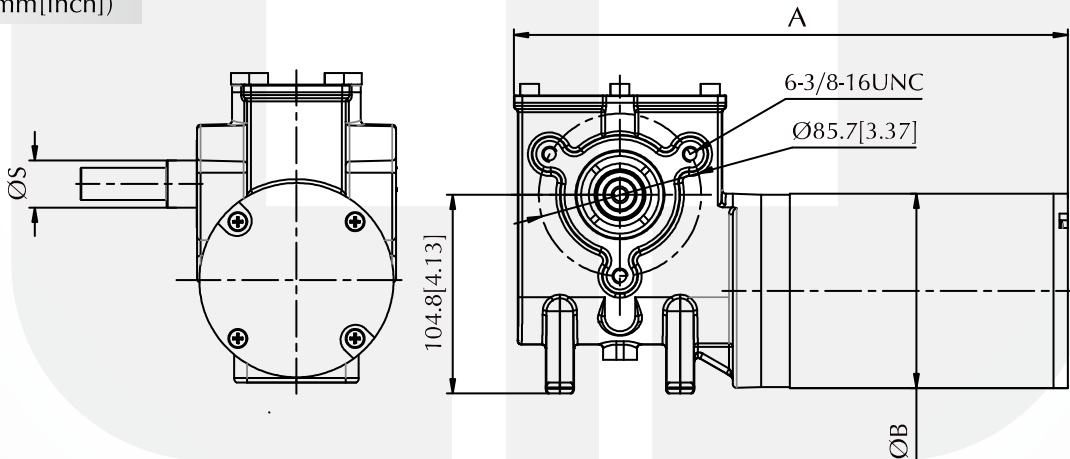
Gearmotor - GW40D-14 Series

Voltage : 12 - 36V DC
 Rated Speed : 80 - 200rpm
 Rated Output Power: 150 - 500W
 Gear Ratio : 22.3 : 1
 Rated Torque : 249.19kg-cm[216.31lb-in]
 Motor Diameter : Ø102.5mm[4.03inch]
 Typical Application : Hospital Bed

Performance Curve



Dimension (mm[inch])



Performance (testing under room temperature)

| Model | Dim A mm[inch] | Dim B mm[inch] | Dim S mm[inch] | Gear Ratio | Rated Voltage (V DC) | No Load | | At Maximum Efficiency | | | | Max Power | | |
|-----------------|-------------------|-------------------|-------------------|---------------|----------------------------|----------------|----------------|--------------------------|----------------|----------------|---------------|----------------|--------------------------|----------------|
| | | | | | | Speed (rpm) | Current (A) | Torque (kg-cm[lb-in]) | Speed (rpm) | Current (A) | Output (W) | Effic'y (%) | Torque (kg-cm[lb-in]) | Current (A) |
| GW40D-14 | 290[11.40] | 102.5[4.03] | 25.0[0.98] | 22.3:1 | 24 | 130 | 5.0 | 249.19[216.31] | 109 | 25.8 | 279.5 | 45.13 | 744.4[647.6] | 79 |

The information above is for reference only, detailed specification is subject to final confirmation