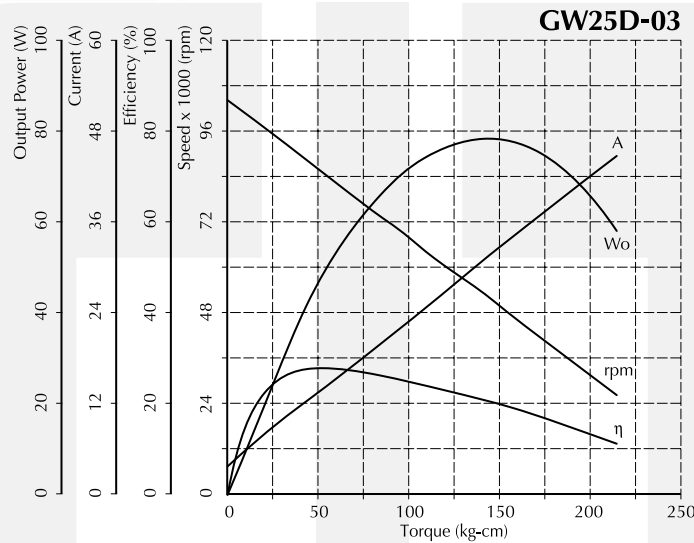




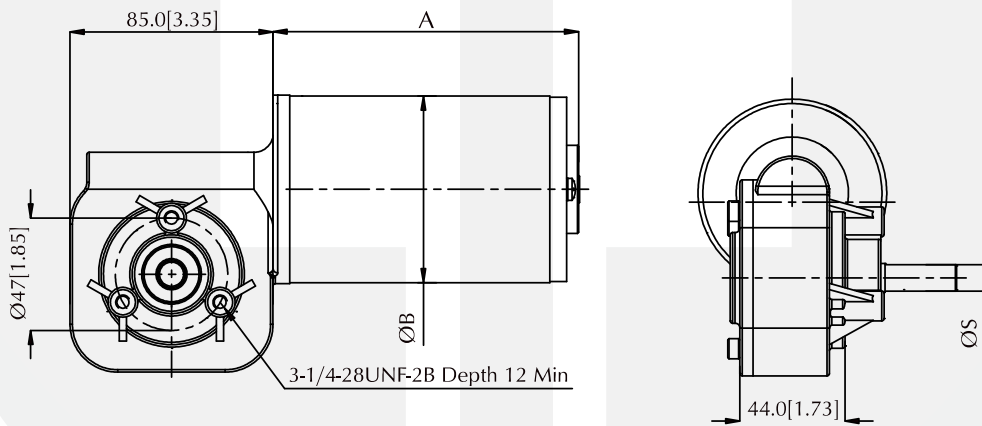
Gearmotor – GW25D/30D-03 Series

Voltage : 12 - 36V DC
 Rated Speed : 50 - 150rpm
 Rated Output Power: 30 - 100W
 Gear Ratio : 30 : 1, 35 : 1, 63 : 1
 Rated Torque : 56.10-183.74kg-cm[48.8-159.5lb-in]
 Motor Diameter : Ø63.5/76.2mm[2.5/3.0inch]
 Typical Application : Truck Lift

Performance Curve



Dimension (mm[inch])



Performance (testing under room temperature)

Model	Dim A mm [inch]	Dim B mm [inch]	Dim S mm [inch]	Gear Ratio	Rated Voltage (V DC)	No Load		At Maximum Efficiency				Max Power		
						Speed (rpm)	Current (A)	Torque kg-cm [lb-in]	Speed (rpm)	Current (A)	Output (W)	Effic'y (%)	Torque kg-cm [lb-in]	Current (A)
GW25D-03-01	128.7 [5.07]	63.5 [2.5]	17 [0.67]	35:1	12	50	4.0	183.74 [159.5]	43	24.47	81.1	27.63	656.3 [569.3]	77.1
GW25D-03-02		63.5 [2.5]		35:1	24	112	1.6	56.1 [48.8]	91	8	52.3	27	153.0 [133.1]	19
GW30D-03-01		76.2 [3.0]		63:1	12	61	3.7	163.2 [142.0]	52	21.8	85.4	33	550.6 [479.0]	65
GW30D-03-02		76.2 [3.0]		30:1	12	93	2.3	70.4 [61.2]	79	12.1	56.8	39	234.5 [204.0]	35

The information above is for reference only, detailed specification is subject to final confirmation