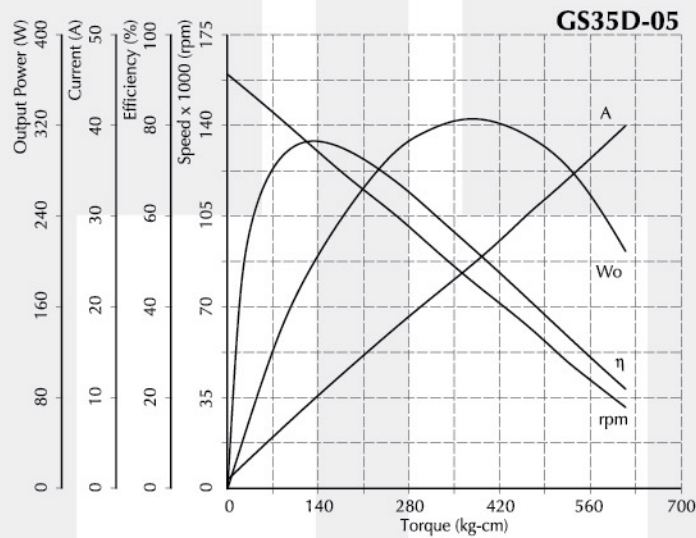




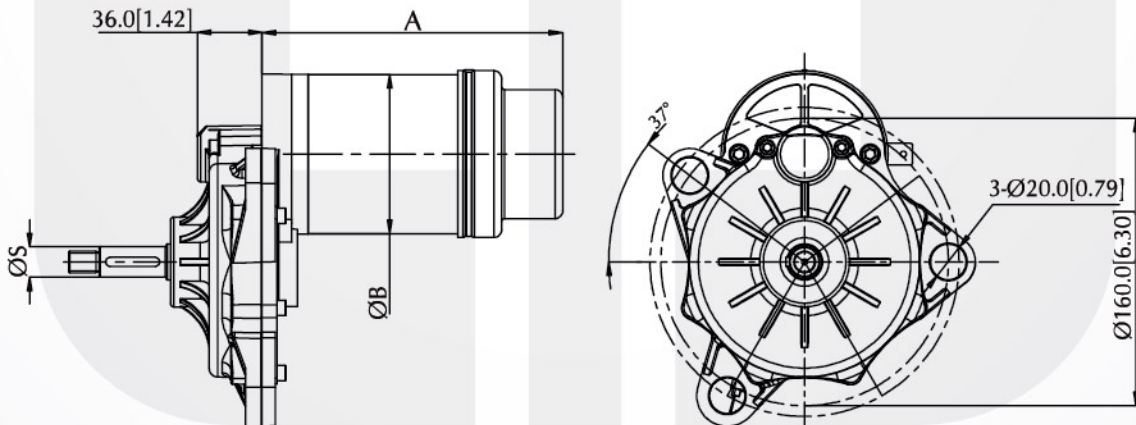
## Gearmotor - GS35D-05 Series

Voltage : 12 - 36V DC  
 Rated Speed : 100 - 200rpm  
 Rated Output Power: 100 - 350W  
 Gear Ratio : 14.2 : 1, 17.75 : 1  
 Rated Torque : 50.0-141.5kg-cm[43.4-122.8lb-in]  
 Motor Diameter : Ø89mm[3.5inch]  
 Typical Application : Electric Wheelchair

### Performance Curve



### Dimension (mm[inch])



### Performance (testing under room temperature)

Model	Dim A mm[inch]	Dim B mm[inch]	Dim S mm[inch]	Gear Ratio	Rated Voltage (V DC)	No Load		At Maximum Efficiency				Max Power		
						Speed (rpm)	Current (A)	Torque (kg-cm[lb-in])	Speed (rpm)	Current (A)	Output (W)	Effc'y (%)	Torque (kg-cm[lb-in])	Current (A)
GS35D-05-01	167.9[6.61]	89.0[3.50]	17.0[0.67]	17.75:1	24	166.5	3.0	141.5[122.8]	138.0	14.3	200.8	64	416.3[361.3]	36.3
GS35D-05-02	164.9[6.49]	89.0[3.50]	17.0[0.67]	14.2:1	22	230	4.0	50.0[43.4]	189	19.2	267.3	58	383.3[332.7]	46.2

The information above is for reference only, detailed specification is subject to final confirmation

Email: sales@cclmotors.com Website: <http://www.cclmotors.com>  
 4/F, No. 6, On Lok Mun Street, On Lok Tsuen, Fanling, N.T., Hong Kong.

Tel: (852) 3125 0000 Fax: (852) 3125 0125