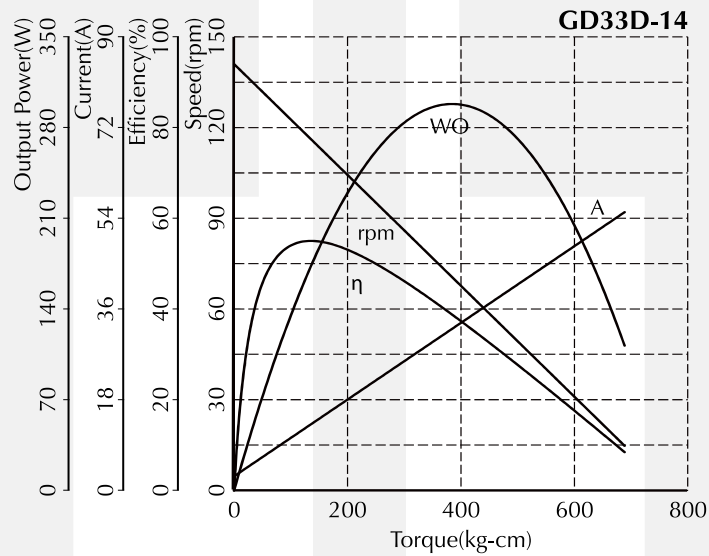




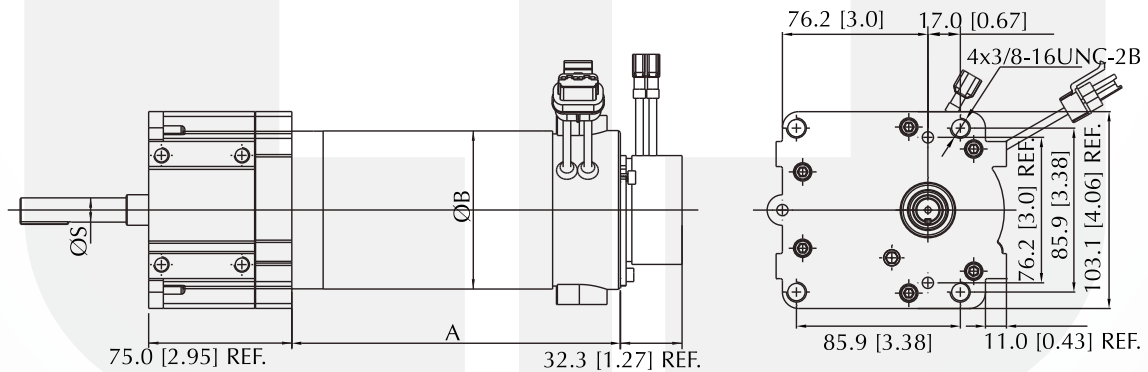
## Gearmotor – GD33D-14 Series

Voltage : 12 - 36V DC  
 Rated Speed : 100 - 340rpm  
 Rated Output Power: 140 - 210W  
 Gear Ratio : 9.7 : 1, 16 : 1  
 Rated Torque : 45 - 180kg-cm[39.1 - 156.3lb-in]  
 Motor Diameter : Ø78.1-83.1mm[3.0-3.3inch]  
 Typical Application : Power Cart, Door Opener

### Performance Curve



### Dimension (mm[inch])



### Performance (testing under room temperature)

Model	Dim A mm[inch]	Dim B mm[inch]	Dim S mm[inch]	Gear Ratio	Rated Voltage (V DC)	No Load		At Maximum Efficiency				Max Power		
						Speed (rpm)	Current (A)	Torque (kg-cm[lb-in])	Speed (rpm)	Current (A)	Output (W)	Effic'y (%)	Torque (kg-cm[lb-in])	Current (A)
<b>GD33D-14-01</b>	171.5[6.75]	83.1[3.3]	12.7[0.5]	16:1	24	141	2.8	148.8[129.2]	117	14.1	178.8	53	437.6[379.8]	36.1
<b>GD33D-14-02</b>	122.3[4.81]	78.1[3.0]	12.0[0.47]	9.7:1	24	350	3.65	59.5[51.6]	290	12.4	177.5	59.6	175.0[151.9]	31.7

The information above is for reference only, detailed specification is subject to final confirmation

Email: sales@cclmotors.com Website: <http://www.cclmotors.com>  
5/F, No. 6, On Lok Mun Street, On Lok Tsuen, Fanling, N.T., Hong Kong.

Tel: (852) 3125 0000 Fax: (852) 3125 0125