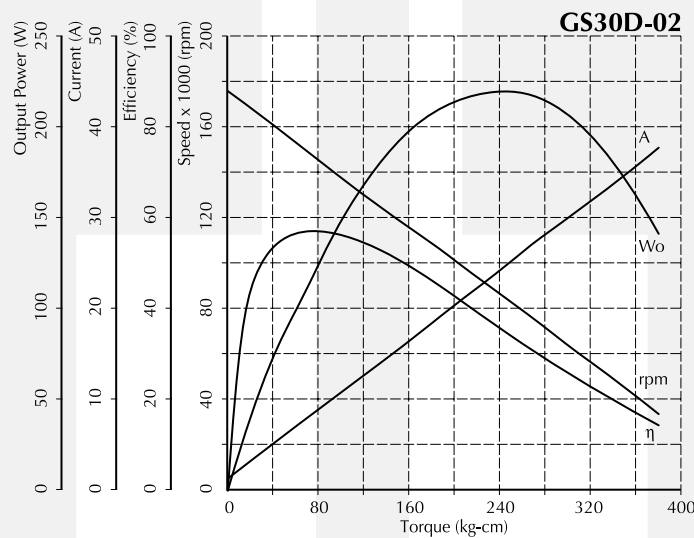




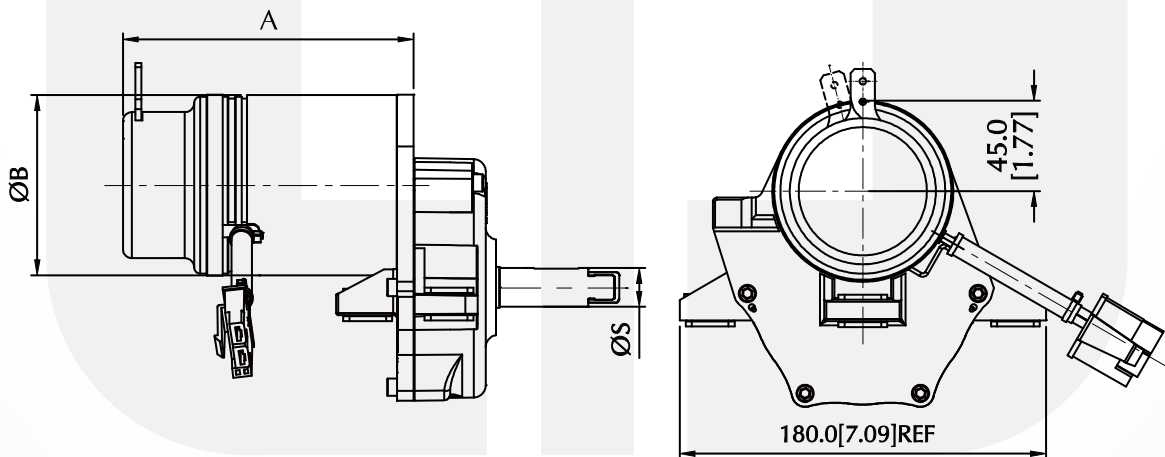
Gearmotor – GS30D-02 Series

Voltage : 12 - 36V DC
 Rated Speed : 150 - 250rpm
 Rated Output Power: 100 - 300W
 Gear Ratio : 17.75 : 1
 Rated Torque : 138.0-141.5kg-cm[119.8-122.8lb-in]
 Motor Diameter : Ø63.5/88.9mm[2.5/3.5inch]
 Typical Application : Electric Wheelchair
 Feature : Optional break

Performance Curve



Dimension (mm[inch])



Performance (testing under room temperature)

Model	Dim A mm [inch]	Dim B mm [inch]	Dim S mm [inch]	Gear Ratio	Rated Voltage (V DC)	No Load		At Maximum Efficiency				Max Power		
						Speed (rpm)	Current (A)	Torque kg-cm [lb-in]	Speed (rpm)	Current (A)	Output (W)	Effc'y (%)	Torque kg-cm [lb-in]	Current (A)
GS30D-02	142.8 [5.62]	76.2 [3.0]	20.2 [0.80]	17.75:1	24	166.5	3.0	141.5 [122.8]	138.2	14.3	200.8	58	416.3 [361.3]	36.3

The information above is for reference only, detailed specification is subject to final confirmation

Email: sales@cclmotors.com Website: <http://www.cclmotors.com>
4/F, No. 6, On Lok Mun Street, On Lok Tsuen, Fanling, N.T., Hong Kong.

Tel: (852) 3125 0000 Fax: (852) 3125 0125