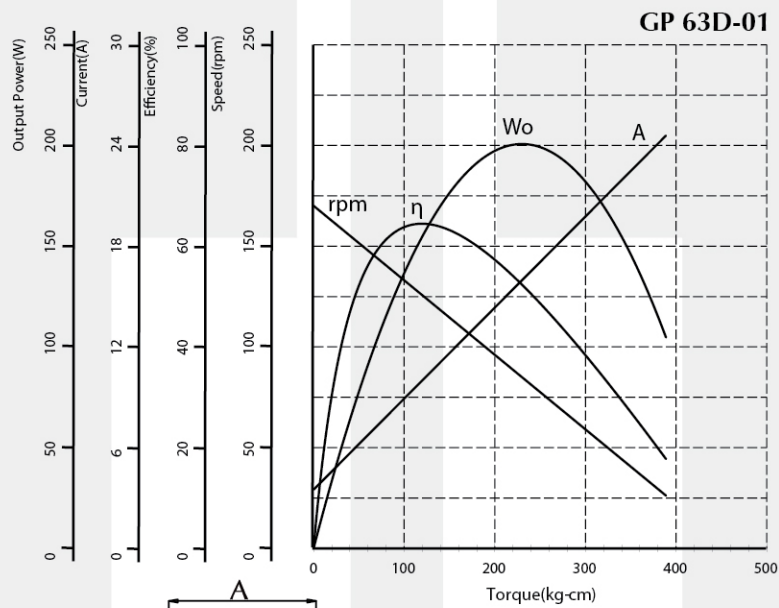


## Hub Motor – GP63D-01 Series

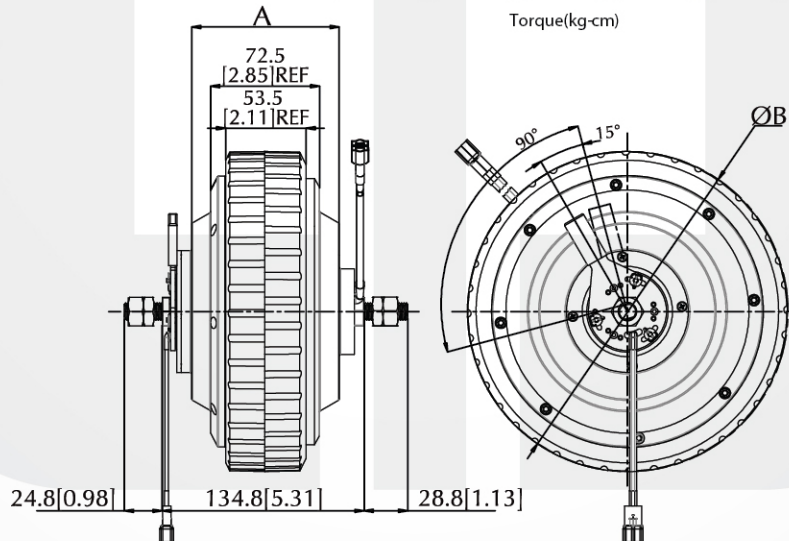


Voltage : 24 - 48V DC  
 Rated Speed : 120 - 150rpm  
 Rated Output Power: 100 - 250W  
 Gear Ratio : 18.9 : 1  
 Rated Torque : 121.7kg-cm[105.5lb-in]  
 Motor Diameter : Ø213mm[8.39inch]  
 Typical Application : Scooter, Shopping Cart

### Performance Curve



### Dimension (mm[inch])



### Performance (testing under room temperature)

Model	Dim A mm[inch]	Dim B mm[inch]	Gear Ratio	Rated Voltage (V DC)	No Load		At Maximum Efficiency				Max Power		
					Speed (rpm)	Current (A)	Torque (kg-cm[lb-in])	Speed (rpm)	Current (A)	Output (W)	Effic'y (%)	Torque (kg-cm[lb-in])	Current (A)
<b>GP63D-01T-001</b>	98[3.86]	213[8.385]	18.9:1	24	170	3.5	121.7[105.5]	125	10.1	157	65	234[202.92]	16.3

The information above is for reference only, detailed specification is subject to final confirmation