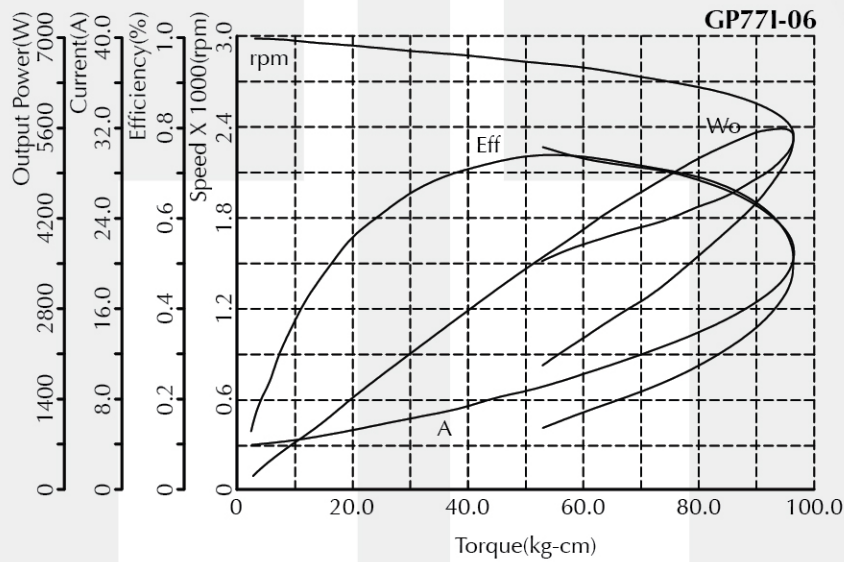




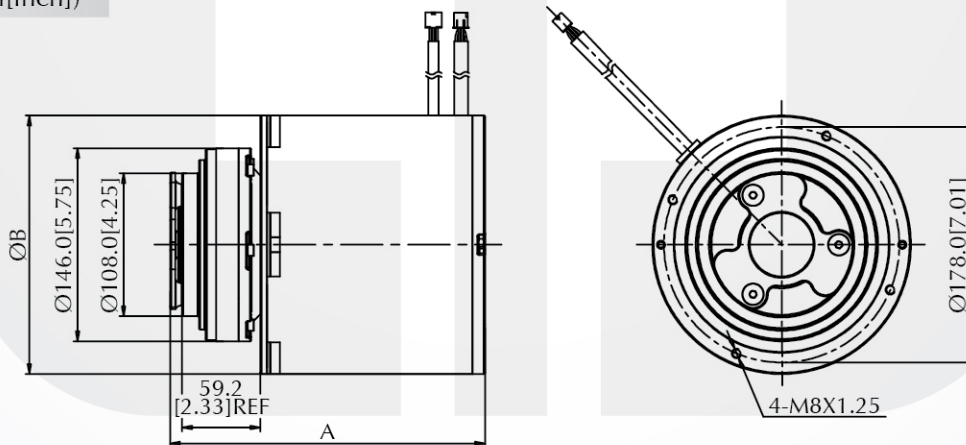
Gearmotor - GP771 Series

Voltage : 100 - 240V AC (50/60Hz)
 Rated Speed : 115 - 490rpm
 Rated Output Power: 800 - 1500W
 Gear Ratio : 8:1, 12:1, 10:1, 7.5:1, 6.6:1
 Rated Torque : 90kg-cm[78.12lb-in]
 Motor Diameter : \varnothing 195.5mm[7.7inch]
 Typical Application : Floor Polisher

Performance Curve (Single Motor)



Dimension (mm[inch])



Performance (testing under room temperature)

Model	Dim A mm[inch]	Dim B mm[inch]	Gear Ratio	Rated Voltage (V AC)	No Load		At Maximum Efficiency				Max Power		
					Speed (rpm)	Current (A)	Torque (kg-cm[lb-in])	Speed (rpm)	Current (A)	Output (W)	Eff'c'y (%)	Torque (kg-cm[lb-in])	Current (A)
GP771-06	269.3 [10.60]	195.5 [7.70]	7.5:1	230	393	4.82	405[351.54]	371	11.22	1,715	69	650[564.20]	23

The information above is for reference only, detailed specification is subject to final confirmation