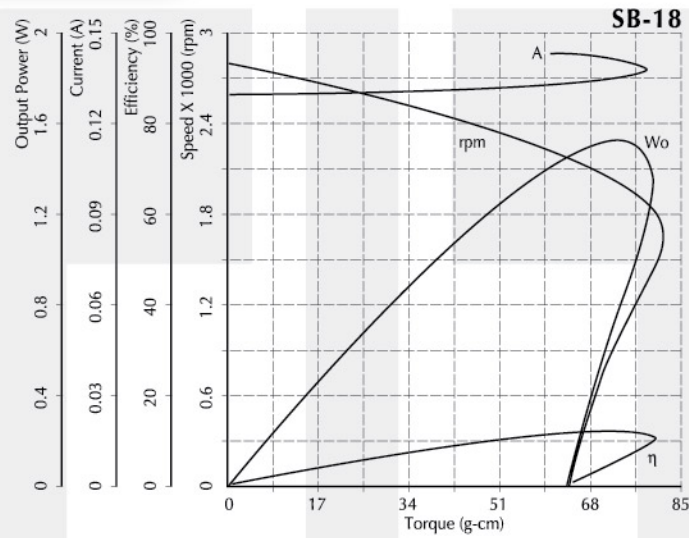




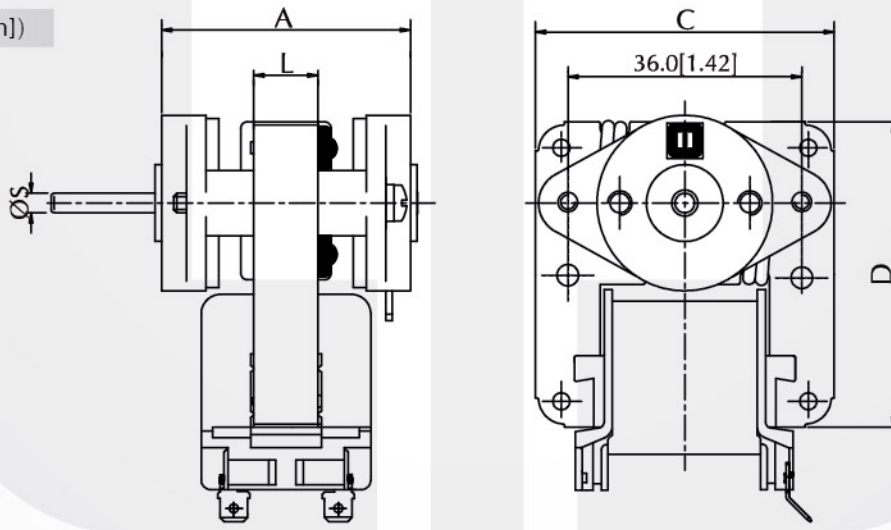
Shaded Pole Motor - SB Series

Voltage : 100 - 240V AC (50/60Hz)
 Rated Speed : 3,400rpm max
 Rated Output Power: 0.3 - 2.8W
 Insulation Class : A, B, F, H
 Typical Application : Oven, Humidifier, Ventilator,
 Air Pump, Water Pump

Performance Curve



Dimension (mm[inch])



Performance (testing under room temperature)

Model	Dim A mm[inch]	Dim C mm[inch]	Dim D mm[inch]	Dim L mm[inch]	Dim S mm[inch]	Rated Torque (g-cm[lb-in])	Rated Input Power (W)	Rated Output Power (W)
SB-08	36.4[1.43]	46 [1.81]	47 [1.85]	8 [0.31]	3.0 - 4.0 [0.12 - 0.16]	20 - 35 [0.017 - 0.030]	4 - 7	0.3 - 0.5
SB-12	40.4[1.59]	46 [1.81]	47 [1.85]	12 [0.47]	3.0 - 4.0 [0.12 - 0.16]	30 - 55 [0.026 - 0.048]	6 - 12	0.5 - 1.0
SB-18	46.4[1.83]	46 [1.81]	47 [1.85]	18 [0.71]	3.0 - 4.0 [0.12 - 0.16]	45 - 85 [0.039 - 0.074]	10 - 18	0.9 - 1.7
SB-24	52.4[2.06]	46 [1.81]	47 [1.85]	24 [0.94]	3.0 - 4.0 [0.12 - 0.16]	75 - 155 [0.065 - 0.134]	16 - 25	1.6 - 2.8

The information above is for reference only, detailed specification is subject to final confirmation

Email: sales@cclmotors.com Website: <http://www.cclmotors.com>
 4/F, No. 6, On Lok Mun Street, On Lok Tsuen, Fanling, N.T., Hong Kong.

Tel: (852) 3125 0000 Fax: (852) 3125 0125