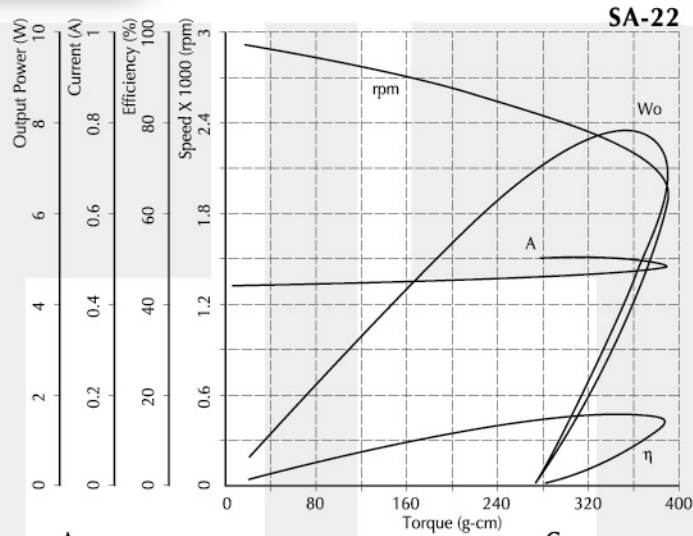


Shaded Pole Motor - SA Series

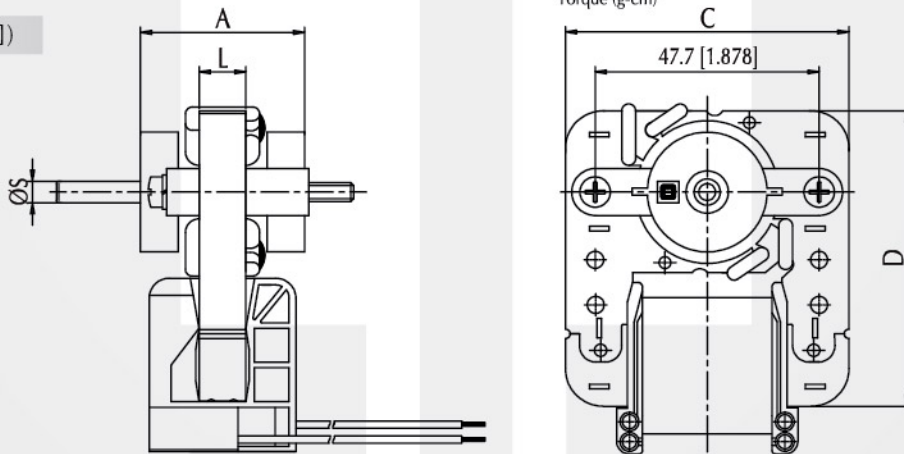
Voltage : 100 - 240V AC (50/60Hz)
 Rated Speed : 3,400rpm max
 Rated Output Power: 1.2 - 36.6W
 Insulation Class : A, B, F, H
 Typical Application : Pencil Sharpener, Condenser Fan, Air Freshener,
 Humidifier, Ventilator, Can Opener, Induction Cooker,
 Air Purifier, Oven, Evaporator Fan, Air Pump, Water Pump

*C Frame Motor

Performance Curve



Dimension (mm[inch])



Performance (testing under room temperature)

Model	Dim A mm[inch]	Dim C mm[inch]	Dim D mm[inch]	Dim L mm[inch]	Dim S mm[inch]	Rated Torque (g-cm[lb-in])	Rated Input Power (W)	Rated Output Power (W)
SA-10	35 [1.38]	60.4 [2.38]	63.0 [2.48]	10 [0.39]	4.61 - 6.35 [0.18 - 0.25]	65 - 125 [0.06 - 0.11]	9 - 22	1.2 - 3.1
SA-13	38 [1.50]	60.4 [2.38]	63.0 [2.48]	13 [0.51]	4.61 - 6.35 [0.18 - 0.25]	100 - 235 [0.09 - 0.20]	13 - 33	2.3 - 5.8
SA-16	41 [1.61]	60.4 [2.38]	63.0 [2.48]	16 [0.63]	4.61 - 6.35 [0.18 - 0.25]	125 - 340 [0.11 - 0.30]	15 - 38	2.9 - 8.5
SA-20	45 [1.77]	60.4 [2.38]	63.0 [2.48]	20 [0.79]	4.61 - 6.35 [0.18 - 0.25]	190 - 405 [0.16 - 0.35]	20 - 45	5.0 - 12.3
SA-22	52 [2.05]	60.4 [2.38]	63.0 [2.48]	22 [0.87]	4.61 - 6.35 [0.18 - 0.25]	210 - 425 [0.18 - 0.37]	22 - 47	6.0 - 13.0
SA-25	53 [2.09]	60.4 [2.38]	63.0 [2.48]	25 [0.98]	4.61 - 6.35 [0.18 - 0.25]	235 - 490 [0.20 - 0.43]	24 - 50	6.5 - 14.0
SA-30	55 [2.17]	60.4 [2.38]	63.0 [2.48]	30 [1.18]	4.61 - 6.35 [0.18 - 0.25]	315 - 615 [0.27 - 0.53]	30 - 61	8.3 - 16.8
SA-38	66 [2.60]	60.4 [2.38]	63.0 [2.48]	38 [1.50]	4.61 - 6.35 [0.18 - 0.25]	415 - 950 [0.36 - 0.82]	42 - 84	13.0 - 26.6
SA-51	76 [2.99]	60.4 [2.38]	63.0 [2.48]	51 [2.01]	4.61 - 6.35 [0.18 - 0.25]	500 - 1,100 [0.43 - 0.95]	78 - 118	17.0 - 36.6

The information above is for reference only, detailed specification is subject to final confirmation