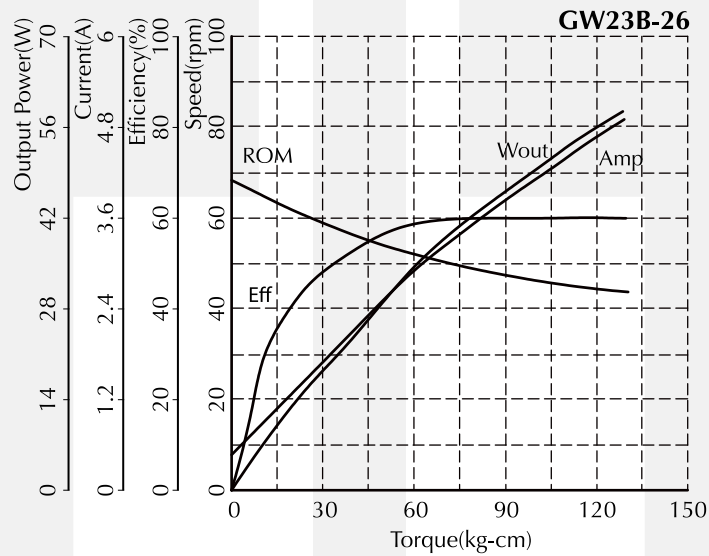




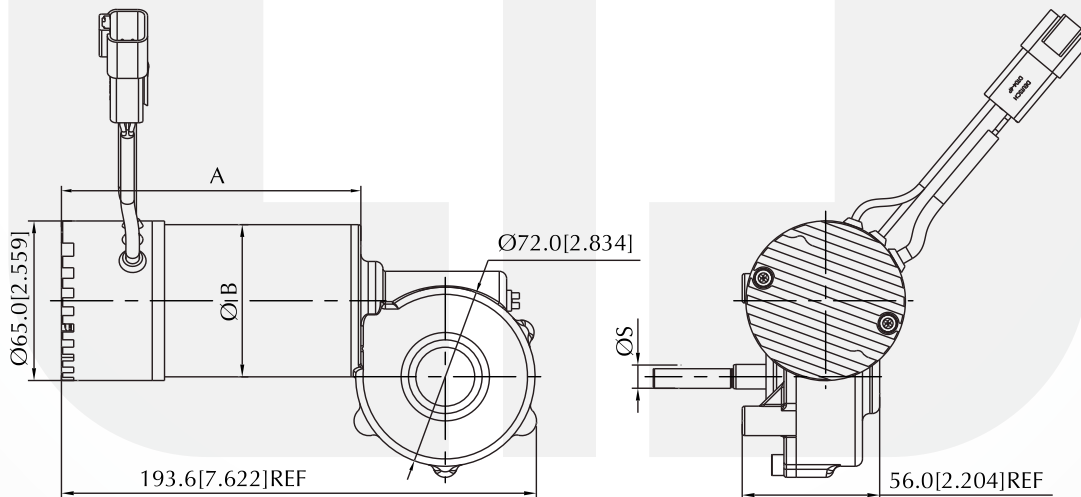
Gearmotor – GW23B-26 Series

Voltage : 12 - 36V DC
 Rated Speed : 20 - 60rpm
 Rated Output Power: 5 - 20W
 Gear Ratio : 69 : 1
 Rated Torque : 5 - 30kg-cm[4.3 - 26lb-in]
 Motor Diameter : Ø62mm[2.44inch]
 Typical Application : Precision Seeder

Performance Curve



Dimension (mm[inch])



Performance (testing under room temperature)

Model	Dim A mm[inch]	Dim B mm[inch]	Dim S mm[inch]	Gear Ratio	Rated Voltage (V DC)	No Load		At Maximum Efficiency				Max Power		
						Speed (rpm)	Current (A)	Torque (kg-cm[lb-in])	Speed (rpm)	Current (A)	Output (W)	Effic'y (%)	Torque (kg-cm[lb-in])	Current (A)
GW23B-26-01	122[4.80]	62[2.44]	9.5[0.374]	69:1	24	67	0.5	80[69.5]	50	3.48	42	50	130[113]	4.9

The information above is for reference only, detailed specification is subject to final confirmation