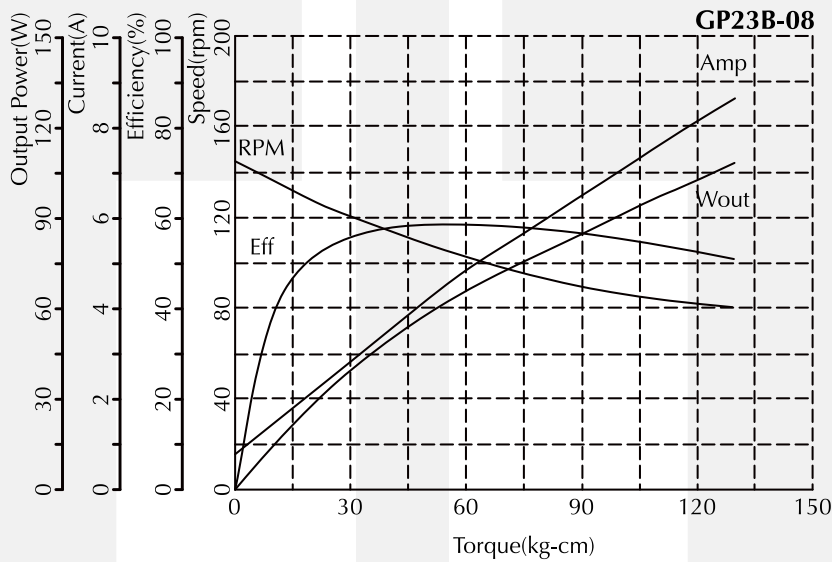




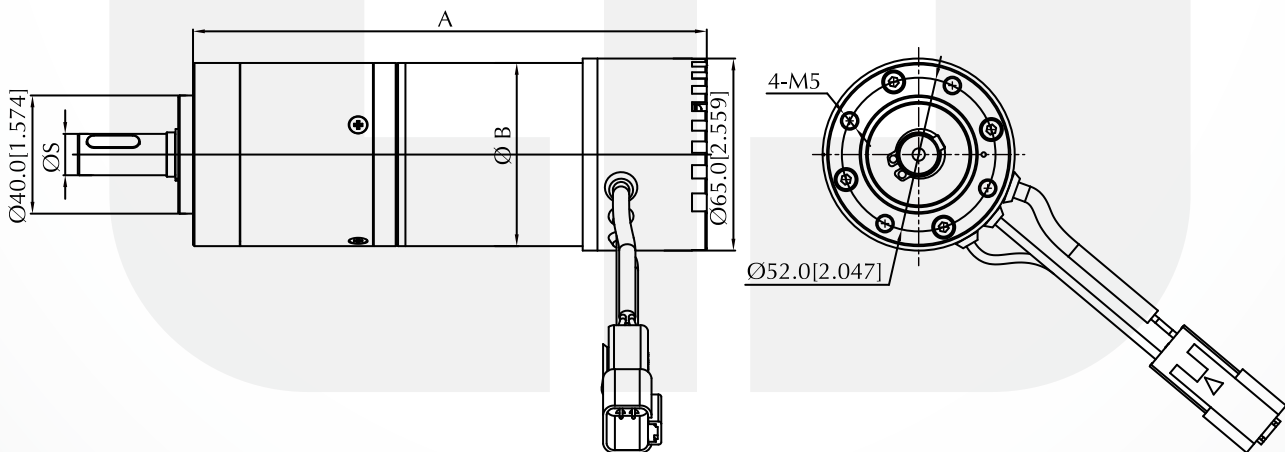
Gearmotor – GP23B-08 Series

Voltage : 12 - 36V DC
 Rated Speed : 20 - 120 rpm
 Rated Output Power: 5 - 45W
 Gear Ratio : 40:1
 Rated Torque : 5 - 30kg-cm[4.3 - 26 lb-in]
 Motor Diameter : Ø62mm[2.44inch]
 Typical Application : Fertilizer distributor

Performance Curve (Single Motor)



Dimension (mm[inch])



Performance (testing under room temperature)

Model	Dim A mm[inch]	Dim B mm[inch]	Dim S mm[inch]	Gear Ratio	Rated Voltage (V AC)	No Load		At Maximum Efficiency				Max Power		
						Speed (rpm)	Current (A)	Torque (kg-cm[lb-in])	Speed (rpm)	Current (A)	Output (W)	Effic'y (%)	Torque (kg-cm[lb-in])	Current (A)
GP23B-08-01	173.9 [6.84]	62[2.44]	14[0.551]	40:1	24	146	0.6	50[43.4]	110	4.07	58	59	130[113]	8.7

The information above is for reference only, detailed specification is subject to final confirmation