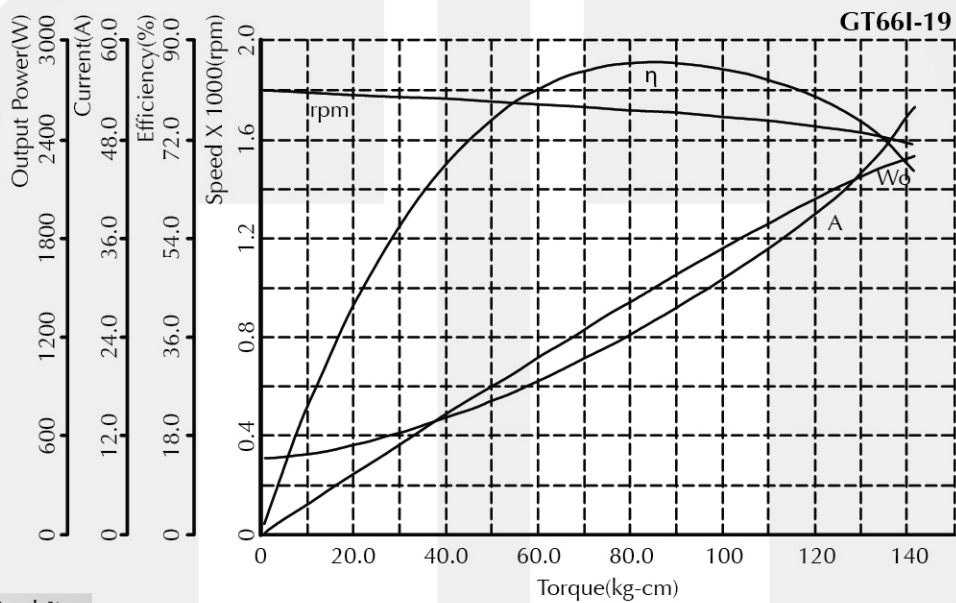


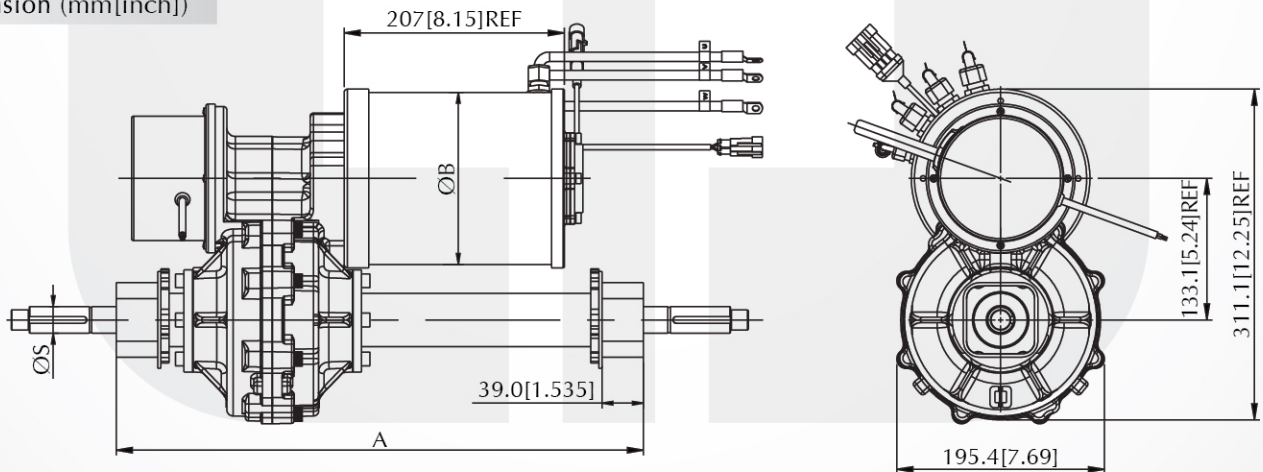
## Transaxle - GT66I-19 Series

Voltage : 32 - 48V AC  
 Rated Speed : 50 - 150rpm  
 Rated Output Power: 1,500 - 2,500W  
 Gear Ratio : 29.17:1  
 Rated Torque : 1,500 - 4,000kg-cm[1,302 - 3,472lb-in]  
 Motor Diameter :  $\varnothing$ 162.0mm[6.378inch]  
 Typical Application : Scooter, Material Hauling Cart

Performance Curve (Single Motor)



Dimension (mm[inch])



Performance (testing under room temperature)

Model	Dim A mm[inch]	Dim B mm[inch]	Dim S mm[inch]	Gear Ratio	Rated Voltage (V DC)	No Load		At Maximum Efficiency				Max Power		
						Speed (rpm)	Current (A)	Torque (kg-cm[lb-in])	Speed (rpm)	Current (A)	Output (W)	Effic'y (%)	Torque (kg-cm[lb-in])	Current (A)
<b>GT66I-19</b>	496[19.53]	162[6.38]	25.4[1.0]	29.17:1	48	60	18	3,650[3168.2]	58	45	2,200	70	-	-

The information above is for reference only, detailed specification is subject to final confirmation

Email: sales@cclmotors.com Website: <http://www.cclmotors.com>  
 4/F, No. 6, On Lok Mun Street, On Lok Tsuen, Fanling, N.T., Hong Kong.

Tel: (852) 3125 0000 Fax: (852) 3125 0125