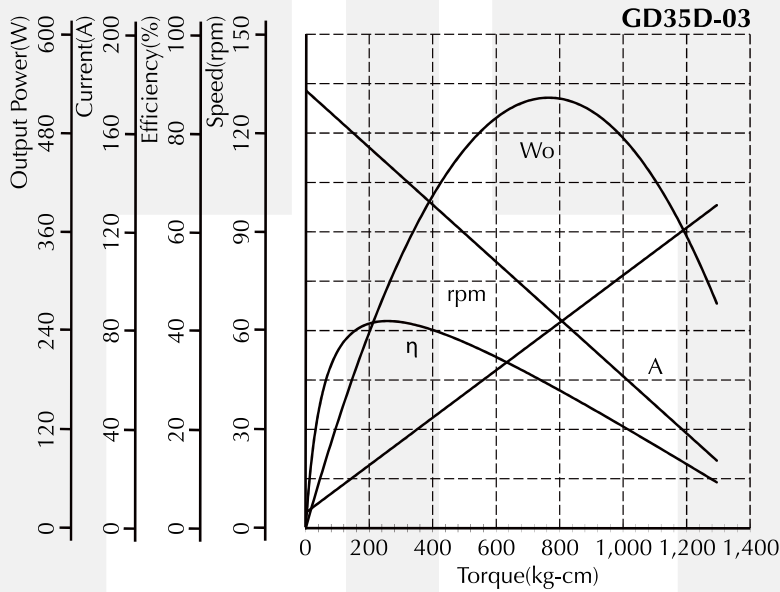




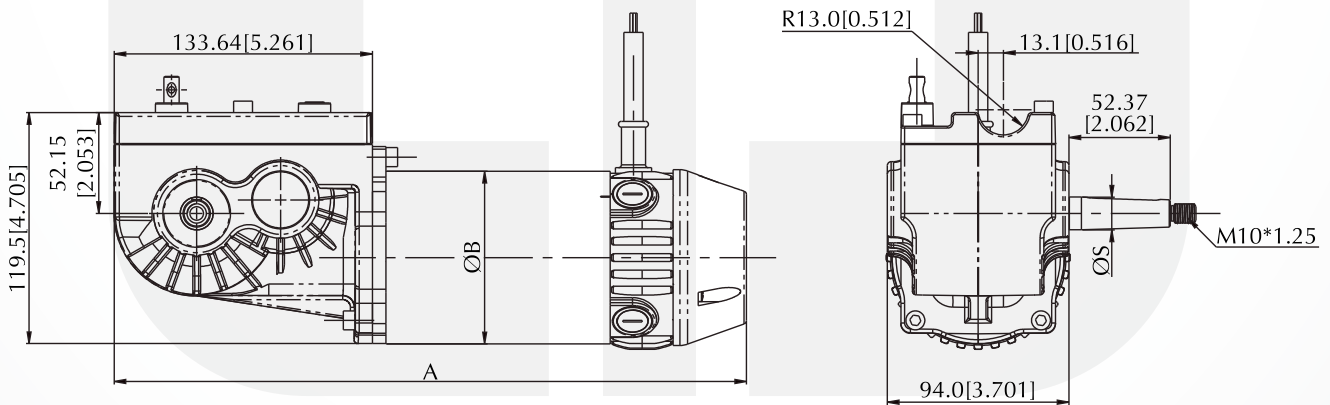
# Gearmotor - GD35D-03 Series

Voltage : 12 - 36V DC  
 Rated Speed : 100 - 210rpm  
 Rated Output Power: 200 - 450W  
 Gear Ratio : 26.8:1, 21.75:1, 32:1, 16:1  
 Rated Torque : 176.4 - 301.8 kg-cm[153.12 - 261.96lb-in]  
 Motor Diameter : Ø89.3mm[3.516inch]  
 Typical Application : Shopping Cart, Polisher, Electric Car, Electric Wheelchair

## Performance Curve



## Dimension (mm[inch])



## Performance (testing under room temperature)

| Model        | Dim A mm[inch] | Dim B mm[inch] | Dim S mm[inch] | Gear Ratio | Rated Voltage (V DC) | No Load     |             | At Maximum Efficiency |             |             |            | Max Power   |                       |             |
|--------------|----------------|----------------|----------------|------------|----------------------|-------------|-------------|-----------------------|-------------|-------------|------------|-------------|-----------------------|-------------|
|              |                |                |                |            |                      | Speed (rpm) | Current (A) | Torque (kg-cm[lb-in]) | Speed (rpm) | Current (A) | Output (W) | Effic'y (%) | Torque (kg-cm[lb-in]) | Current (A) |
| GD35D-03T-01 | 327.2[12.88]   | 89.3[3.52]     | 16.97[0.668]   | 26.8:1     | 22.5                 | 133         | 3.25        | 257[223.08]           | 111         | 31          | 292        | 41.9        | 765.8[664.71]         | 88          |
| GD35D-03T-02 | 327.2[12.88]   | 89.3[3.52]     | 16.97[0.668]   | 21.75:1    | 22.5                 | 164         | 6.3         | 201.9[175.25]         | 136         | 30.3        | 282.6      | 38.9        | 594.5[516.03]         | 77          |
| GD35D-03T-03 | 327.2[12.88]   | 89.3[3.52]     | 16.97[0.668]   | 32.0:1     | 22.5                 | 111         | 6.3         | 301.8[261.96]         | 92          | 30.5        | 285.2      | 41.5        | 887.1[770.0]          | 77.5        |
| GD35D-03T-04 | 327.2[12.88]   | 89.3[3.52]     | 16.97[0.668]   | 16.0:1     | 22.5                 | 205         | 6.3         | 176.4[153.12]         | 171         | 32.3        | 309.2      | 42.5        | 533.3[462.9]          | 85.2        |

The information above is for reference only, detailed specification is subject to final confirmation