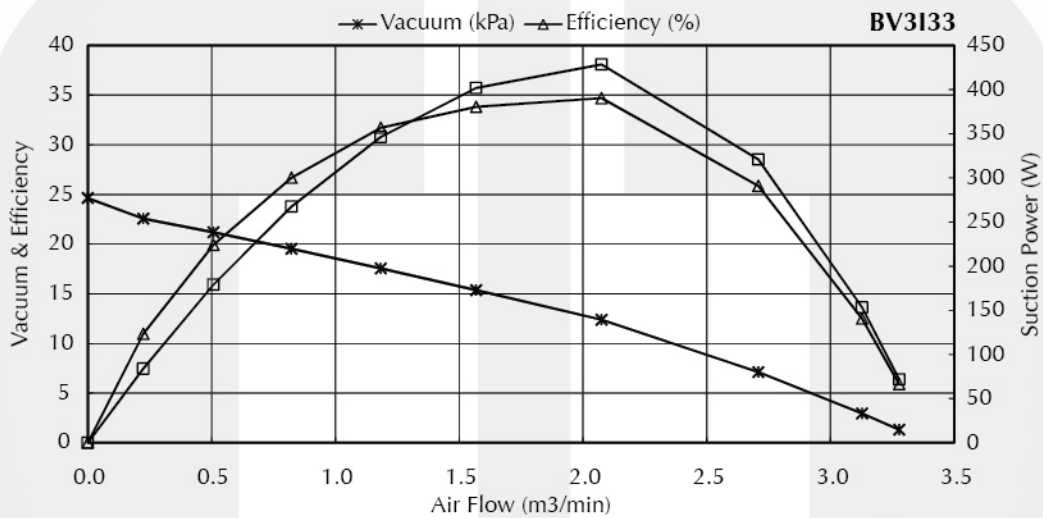




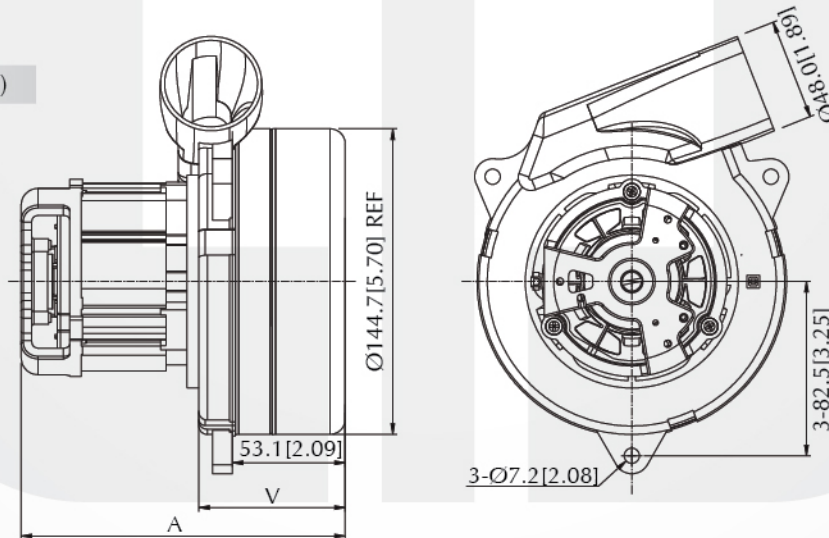
VC Motor - BV3133 By Pass (Tangential)

Voltage : 100 - 240V AC(50/60Hz), 12 - 36V DC
 Rated Speed : 14,000 - 32,000rpm
 Input Power : 300 - 1,700W
 Blower Diameter : Ø144.5 - Ø152.1mm[5.69 - 5.99inch]
 Stage : Double, Triple
 Suction : 33.34KPa [133.86in - H2O]
 Volume Flow Rate : 58.0dm³/s [122.9 CFM]
 Typical Application Vacuum Cleaner

Performance Curve



Dimension (mm[inch])



Performance (testing under room temperature)

Model	Dim A mm[inch]	Dim V mm[inch]	Stage	Rated Input Power (W)	Maximum		
					Suction KPa[in-H2O]	Output Power (W)	Volume Flow Rate (dm ³ /s[CFM])
BV3133	134.5[5.30]	69.0[2.72]	Double	1200	24.64[98.97]	428	54.67[115.8]

The information above is for reference only, detailed specification is subject to final confirmation