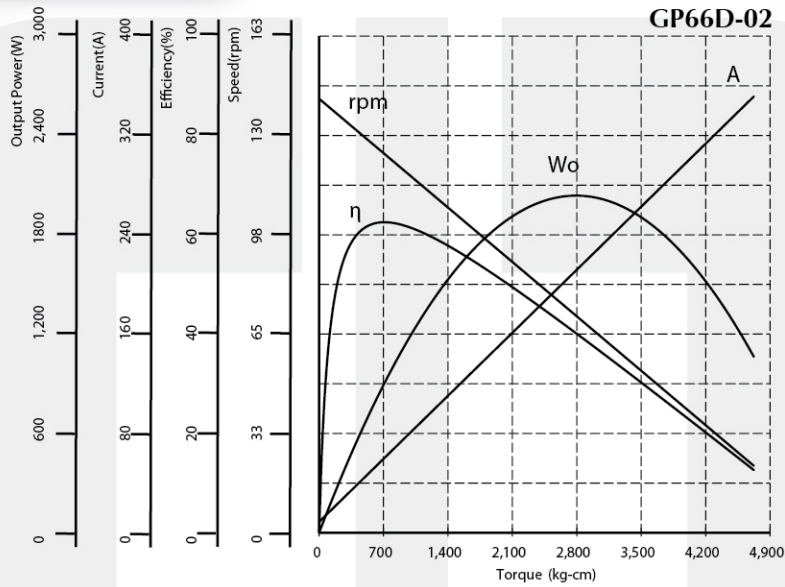




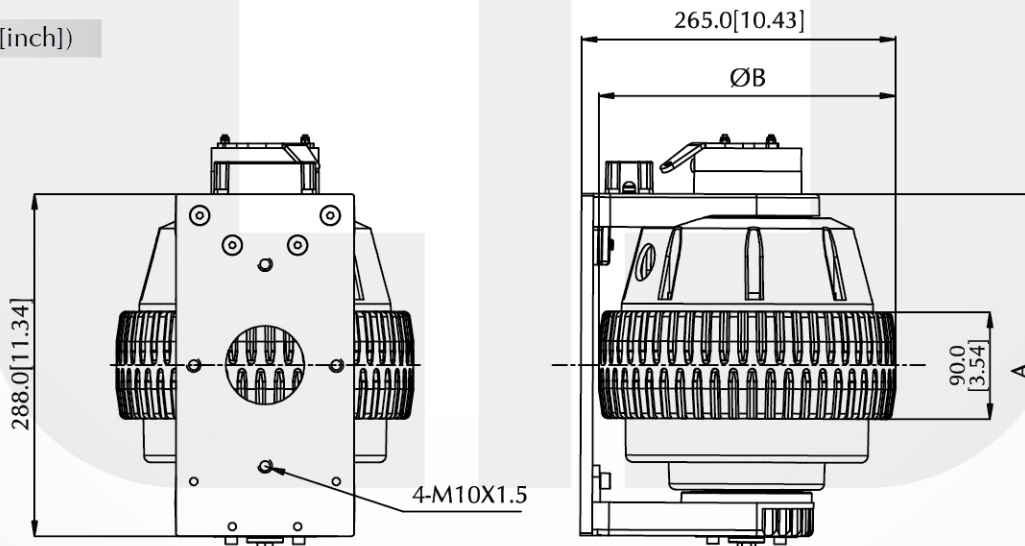
Hub Motor – GP66D-02 Series

Voltage : 24 - 48V DC
 Rated Speed : 110 - 150rpm
 Rated Output Power: 800 - 1,200W
 Gear Ratio : 16.7 : 1
 Rated Torque : 712.06kg-cm[618.04lb-in]
 Motor Diameter : Ø250mm[9.84inch]
 Typical Application : Scooter, Shopping Cart, Cleaning Cart, Sweeper

Performance Curve



Dimension (mm[inch])



Performance (testing under room temperature)

Model	Dim A mm[inch]	Dim B mm[inch]	Gear Ratio	Rated Voltage (V DC)	No Load		At Maximum Efficiency					Max Power	
					Speed (rpm)	Current (A)	Torque (kg-cm[lb-in])	Speed (rpm)	Current (A)	Output (W)	Effic'y (%)	Torque (kg-cm[lb-in])	Current (A)
GP66D-02T-0001	298.8[11.76]	250[9.84]	16.7:1	24	142	8.73	712.06[618.04]	124	60.38	906.0	62.52	5,585.00 [4,847.56]	413.84

The information above is for reference only, detailed specification is subject to final confirmation

Email: sales@cclmotors.com Website: <http://www.cclmotors.com>
 4/F, No. 6, On Lok Mun Street, On Lok Tsuen, Fanling, N.T., Hong Kong.

Tel: (852) 3125 0000 Fax: (852) 3125 0125