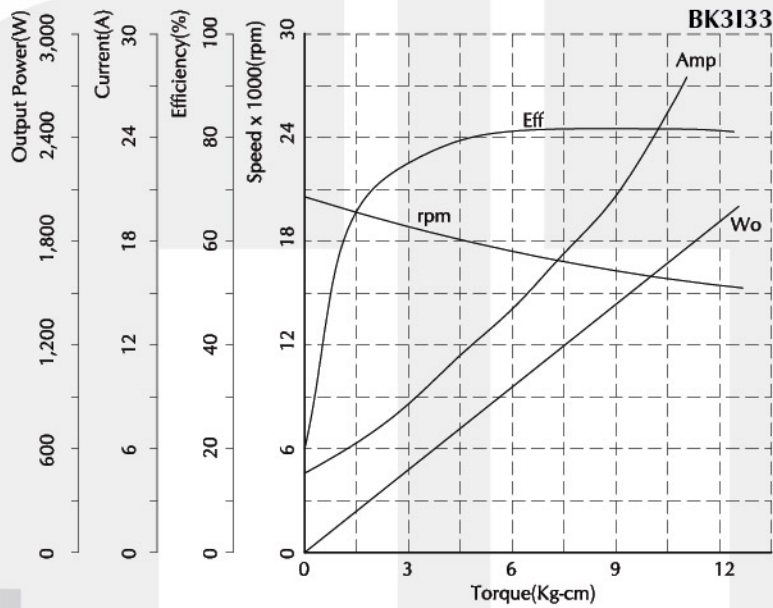




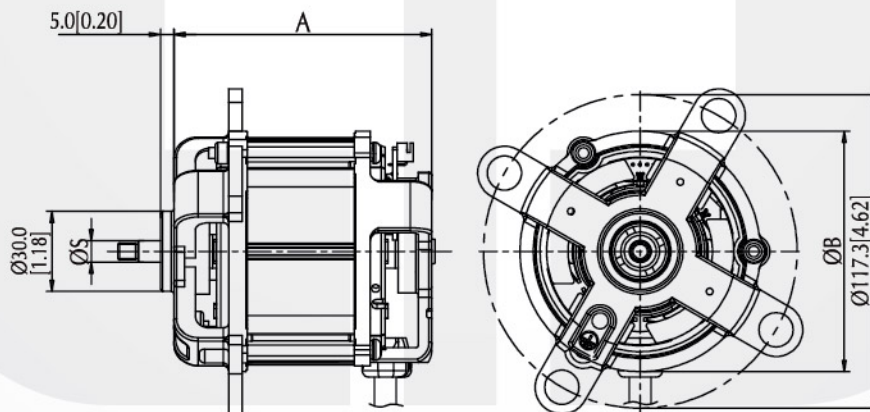
Brushless Motor - BK3133 Series

Voltage : 120/240 V AC (50/60Hz)
 Rated Speed : 1,000 - 23,000rpm
 Rated Output Power: 100 - 1,200W
 Insulation Class : B, F
 Motor Diameter : Ø85mm[3.3inch]
 Typical Application : High End Blender, Commercial Blender

Performance Curve



Dimension (mm[inch])



Performance (testing under room temperature)

Model	Dim A mm[inch]	Dim B mm[inch]	Dim S mm[inch]	Voltage (V AC)	Speed (rpm)	Current (A)	Rated Torque (kg-cm[lb-in])	Rated Output Power (W)
BK313340L	96.5[3.8]	85.0[3.35]	8.0[0.31]	120/240	13,000	6 / 10	5.14[4.46]	700

The information above is for reference only, detailed specification is subject to final confirmation

Email: sales@cclmotors.com Website: <http://www.cclmotors.com>
4/F, No. 6, On Lok Mun Street, On Lok Tsuen, Fanling, N.T., Hong Kong.

Tel: (852) 3125 0000 Fax: (852) 3125 0125