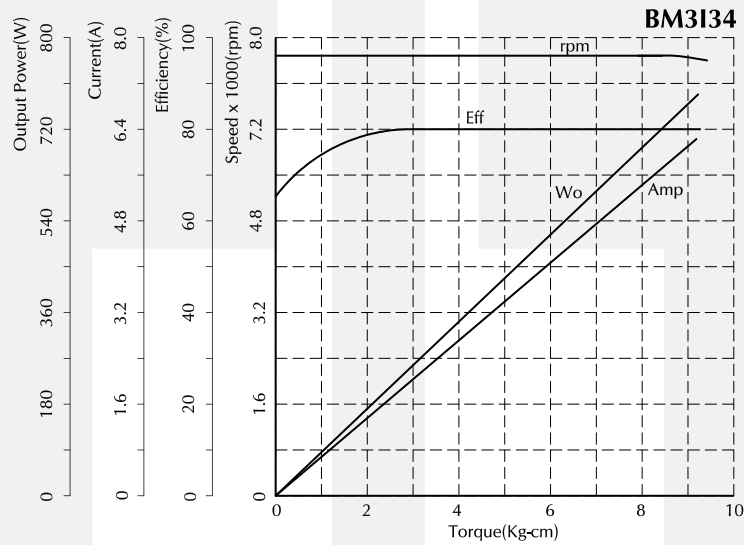


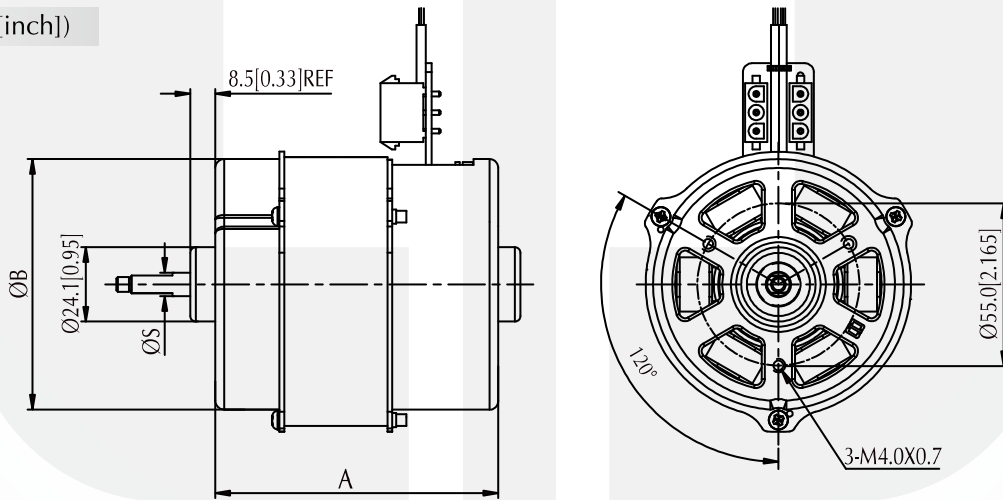
Brushless Motor - BM3134 Series

Voltage : 100 - 240V AC (50/60Hz)
 Rated Speed : 390 - 21,500rpm
 Rated Output Power: 50 - 500W
 Insulation Class : B, F
 Motor Diameter : Ø86mm[3.4inch]
 Typical Application : Cooking Blender, Food Processor

Performance Curve



Dimension (mm[inch])



Performance (testing under room temperature)

Model	Dim A mm[inch]	Dim B mm[inch]	Dim S mm[inch]	Rated Voltage (V DC)	Rated Speed (rpm)	Rated Current (A)	Rated Output Power (W)
BM313435	96[3.78]	84.8[3.34]	8.0[0.31]	100 - 240	390 - 21,500	2 - 10	50 - 500

The information above is for reference only, detailed specification is subject to final confirmation

Email: sales@cclmotors.com Website: <http://www.cclmotors.com>
 4/F, No. 6, On Lok Mun Street, On Lok Tsuen, Fanling, N.T., Hong Kong.

Tel: (852) 3125 0000 Fax: (852) 3125 0125