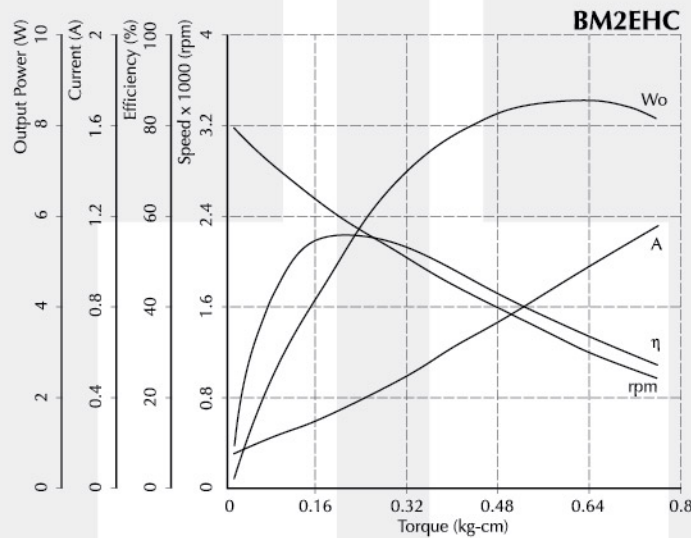




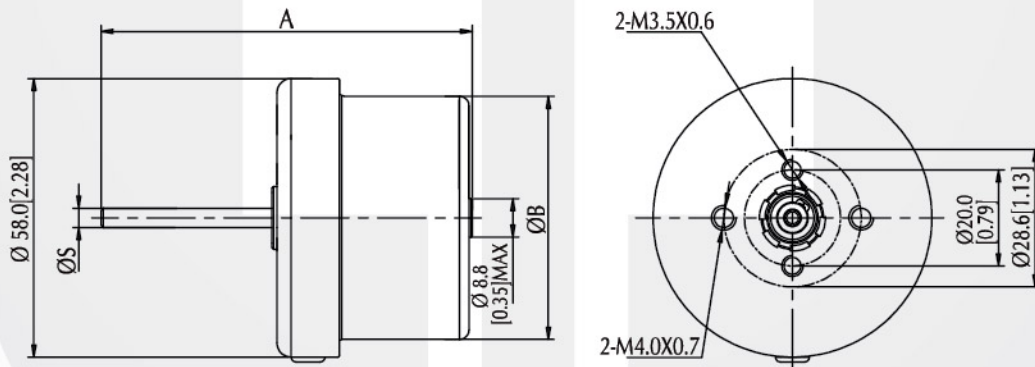
## Brushless Motor - BM2EHC Series

Voltage : 12 - 24V DC  
 Rated Speed : 800 - 2,200rpm  
 Rated Output Power: 3 - 15W  
 Insulation Class : A  
 Motor Diameter :  $\varnothing 50.6\text{mm}$ [1.99inch]  
 Typical Application : Fan, Ventilator, Air Conditioner, Air Purifier

### Performance Curve



### Dimension (mm[inch])



### Performance (testing under room temperature)

Model	Dim A mm[inch]	Dim B mm[inch]	Dim S mm[inch]	Rated Voltage (V DC)	Rated Speed (rpm)	Rated Current (A)	Rated Output Power (W)
BM2EHCL-001	70.3[2.77]	50.6[1.99]	6.0[0.24]	24	2,000	0.65	7.8
BM2EHCL-002	70.3[2.77]	50.6[1.99]	6.0[0.24]	12	2,200	0.9	4.8
BM2EHCL-003	70.3[2.77]	50.6[1.99]	6.0[0.24]	24	2,000	0.6	7.8
BM2EHCL-004	70.3[2.77]	50.6[1.99]	6.0[0.24]	12	2,000	1.1	6.5
BM2EHCL-005	105.8[4.165]	50.6[1.99]	4.0[0.16]	24	1,200	0.2	3.7
BM2EHCL-006	70.3[2.77]	50.6[1.99]	6.0[0.24]	12	2,400	1.0	4.9

The information above is for reference only, detailed specification is subject to final confirmation