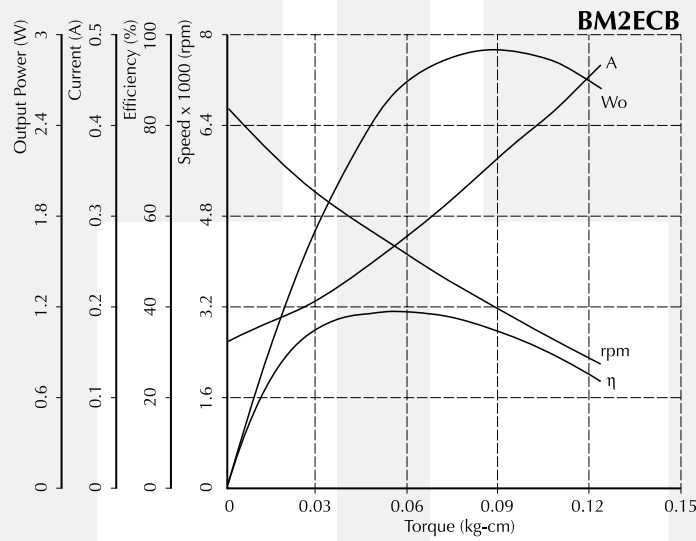


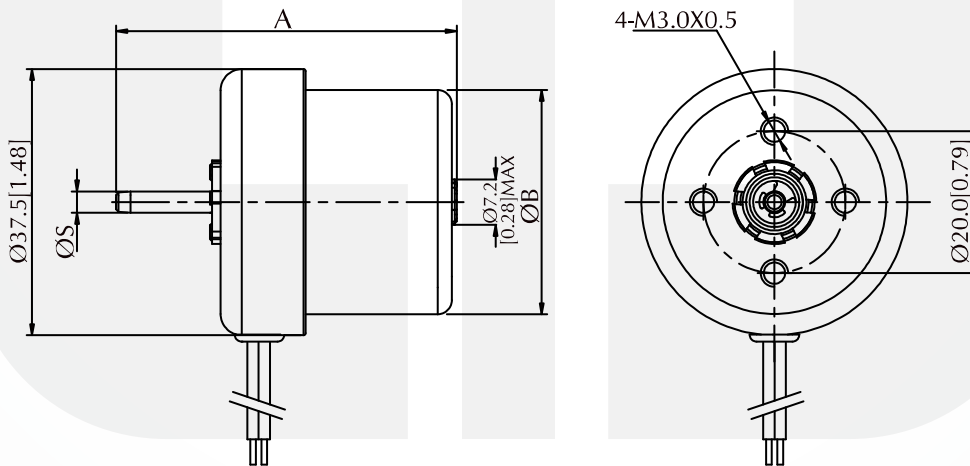
## Brushless Motor - BM2ECB Series

Voltage : 24 - 48V DC  
 Rated Speed : 4,200 - 10,000rpm  
 Rated Output Power: 1.5 - 5W  
 Insulation Class : A  
 Motor Diameter : Ø32.1mm[1.26inch]  
 Typical Application : Fan, Ventilator, Air Conditioner, Air Purifier

### Performance Curve



### Dimension (mm[inch])



### Performance (testing under room temperature)

Model	Dim A mm[inch]	Dim B mm[inch]	Dim S mm[inch]	Rated Voltage (V DC)	Rated Speed (rpm)	Rated Current (A)	Rated Output Power (W)
<b>BM2ECBN-001</b>	49.0[1.93]	32.1[1.26]	3.0[0.12]	24	4,200	0.3	2.5

The information above is for reference only, detailed specification is subject to final confirmation