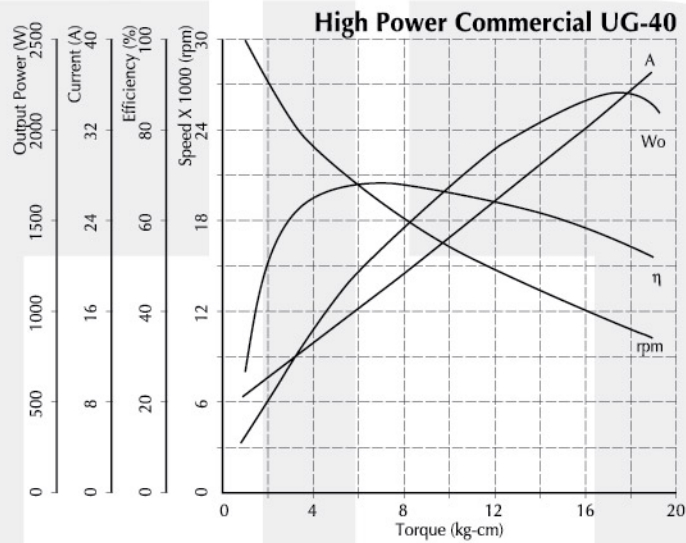


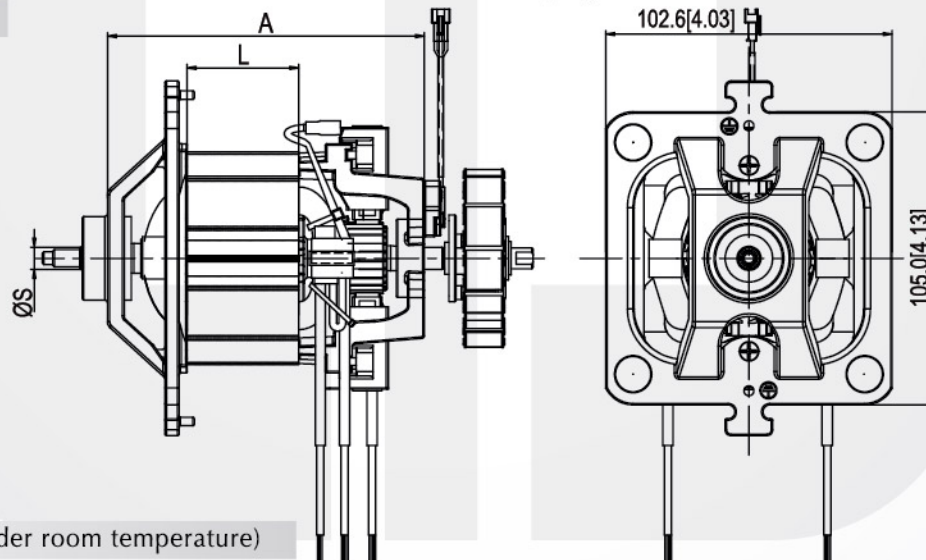
Universal Motor-UG High Power Commercial Version

Voltage : 100 - 240V AC (50/60Hz)
 Rated Speed : 10,000 - 20,000rpm
 Rated Output Power: 400 - 1,200W
 Insulation Class : A, B, F, H
 Motor Diameter : Ø95mm[3.74inch]
 Typical Application : Commercial Shaver Blender, Juice Extractor, Food Processor, Cooking Blender

Performance Curve



Dimension (mm[inch])



Performance (testing under room temperature)

Model	Dim A mm[inch]	Dim L mm[inch]	Dim S mm[inch]	Rated Torque (kg-cm[lb-in])	Rated Output Power (W)
UG-35	124.0 [4.88]	35.0 [1.38]	8.0 -10.0 [0.31 - 0.39]	2.0 - 5.0 [1.73 - 4.34]	400 - 750
UG-40	129.0 [5.08]	40.0 [1.57]	8.0 -10.0 [0.31 - 0.39]	3.0 - 6.0 [2.60 - 5.22]	450 - 800
UG-45	134.0 [5.28]	45.0 [1.77]	8.0 -10.0 [0.31 - 0.39]	3.0 - 8.0 [2.60 - 6.96]	500 - 850
UG-50	139.0 [5.47]	50.0 [1.97]	8.0 -10.0 [0.31 - 0.39]	4.0 - 9.0 [3.48 - 7.83]	600 - 900
UG-55	144.0 [5.67]	55.0 [2.17]	8.0 -10.0 [0.31 - 0.39]	4.0 - 10.0 [3.48 - 8.67]	700 - 1,000
UG-60	149.0 [5.87]	60.0 [2.36]	8.0 -10.0 [0.31 - 0.39]	5.0 - 12.0 [4.35 - 10.44]	800 - 1,200

The information above is for reference only, detailed specification is subject to final confirmation