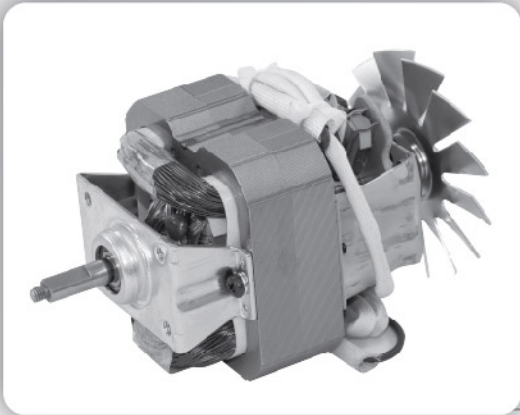
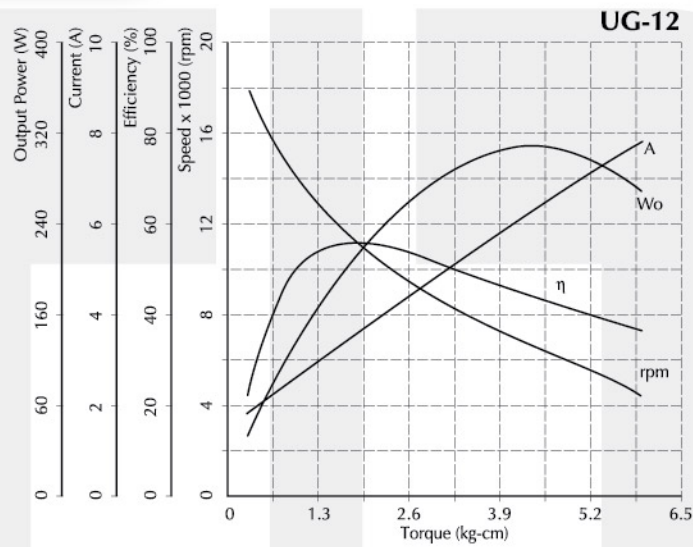


Universal Motor - UG Series

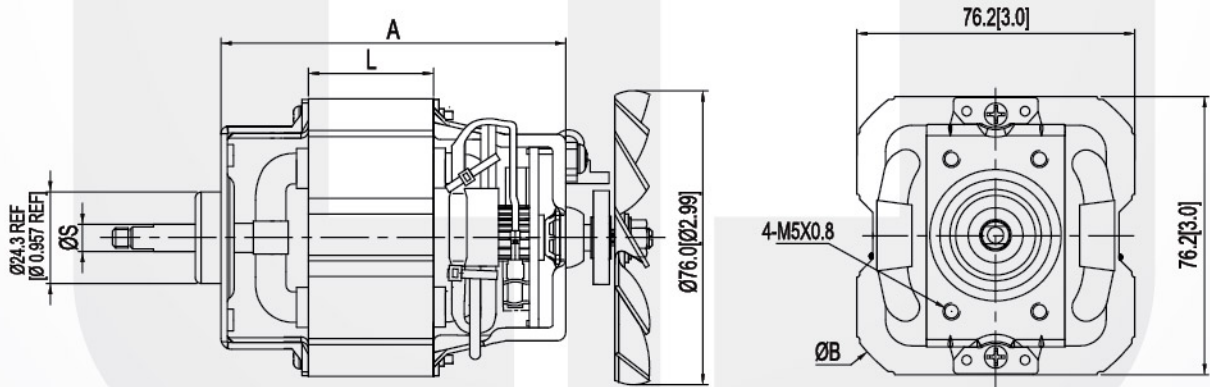


Voltage : 100 - 240V AC (50/60Hz)
 Rated Speed : 10,000 - 20,000rpm
 Rated Output Power: 160 - 650W
 Insulation Class : A, B, F, H
 Motor Diameter : Ø95mm[3.74inch]
 Typical Application : Drink Mixer, Food Processor, Soup Machine, Blender, Cooking Blender

Performance Curve



Dimension (mm[inch])



Performance (testing under room temperature)

Model	Dim A mm[inch]	Dim B mm[inch]	Dim L mm[inch]	Dim S mm[inch]	Rated Torque (kg-cm[lb-in])	Rated Output Power (W)
UG-12	75.0 [2.95]	95.0 [3.74]	12.0 [0.47]	8.0 - 10.0 [0.31 - 0.39]	1.0 - 2.0 [0.87 - 1.74]	160 - 250
UG-15	80.0 [3.15]	95.0 [3.74]	15.0 [0.59]	8.0 - 10.0 [0.31 - 0.39]	1.0 - 3.0 [0.87 - 2.61]	200 - 300
UG-20	85.0 [3.35]	95.0 [3.74]	20.0 [0.79]	8.0 - 10.0 [0.31 - 0.39]	1.5 - 3.5 [1.30 - 3.04]	220 - 330
UG-25	90.0 [3.54]	95.0 [3.74]	25.0 [0.98]	8.0 - 10.0 [0.31 - 0.39]	2.0 - 5.0 [1.74 - 4.34]	275 - 470
UG-30	95.0 [3.74]	95.0 [3.74]	30.0 [1.18]	8.0 - 10.0 [0.31 - 0.39]	2.0 - 6.0 [1.74 - 5.20]	350 - 650

The information above is for reference only, detailed specification is subject to final confirmation

Email: sales@cclmotors.com Website: <http://www.cclmotors.com>
 4/F, No. 6, On Lok Mun Street, On Lok Tsuen, Fanling, N.T., Hong Kong.

Tel: (852) 3125 0000 Fax: (852) 3125 0125