

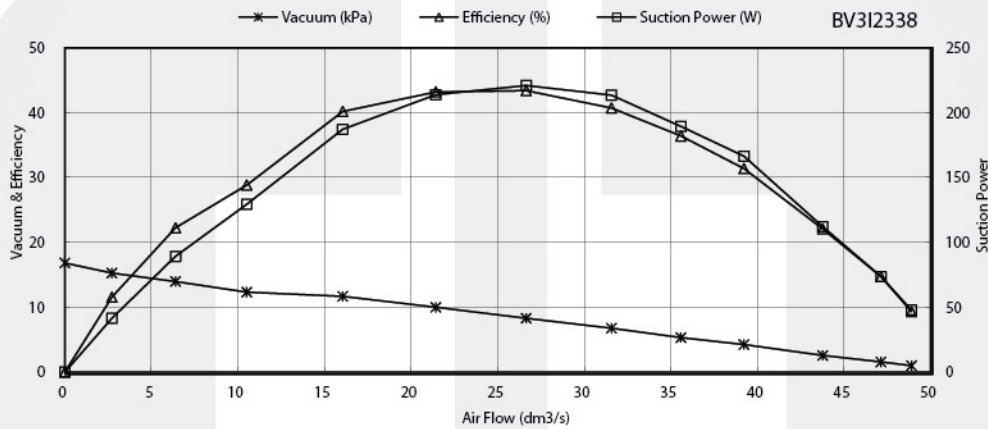


VC Motor – BV3123 Through Flow Series

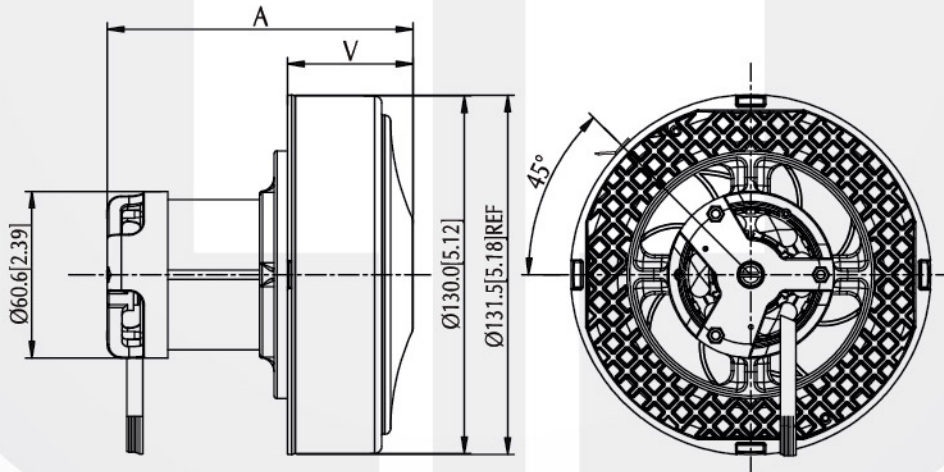
Voltage : 100V/220V AC (50/60Hz)
 Rated Speed : 25,000 - 32,000rpm
 Rated Input Power : 220W
 Blower Diameter : Ø130mm [5.12inch]
 Stage : Single
 Suction : 15.69KPa [62.99in-H2O]
 Volume Flow Rate : 45dm³/s [95.35CFM]
 Typical Application : Vacuum Cleaner

*Brushless Motor

Performance Curve



Dimension (mm[inch])



Performance (testing under room temperature)

Model	Dim A mm[inch]	Dim V mm[inch]	Stage	Rated Input Power (W)	Maximum		
					Suction KPa[in-H2O]	Output Power (W)	Volume Flow Rate (dm³/s[CFM])
BV312338	112.0[4.41]	45.60[1.80]	Single	500	15.69[62.99]	240	45.0[95.35]

The information above is for reference only, detailed specification is subject to final confirmation

Email: sales@cclmotors.com Website: <http://www.cclmotors.com>
 4/F, No. 6, On Lok Mun Street, On Lok Tsuen, Fanling, N.T., Hong Kong.

Tel: (852) 3125 0000 Fax: (852) 3125 0125