

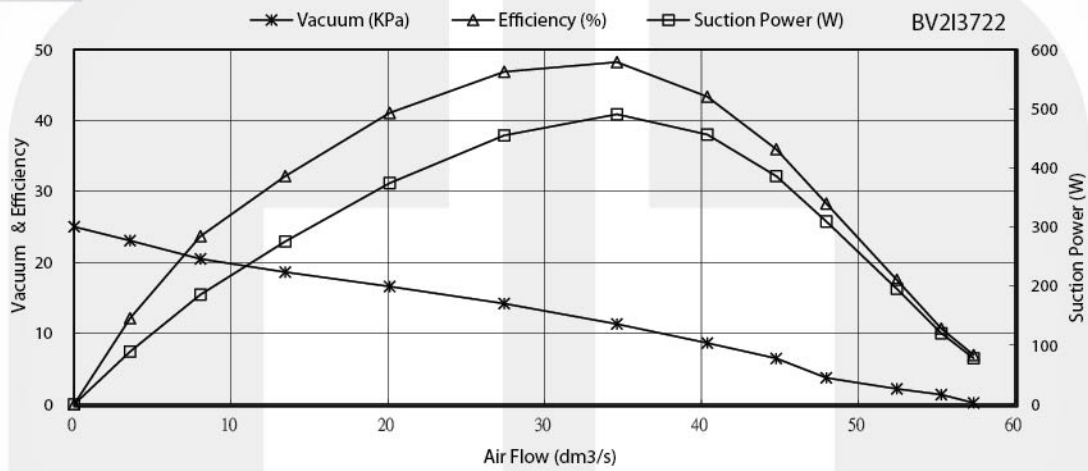


## VC Motor – BV2137 Through Flow Series

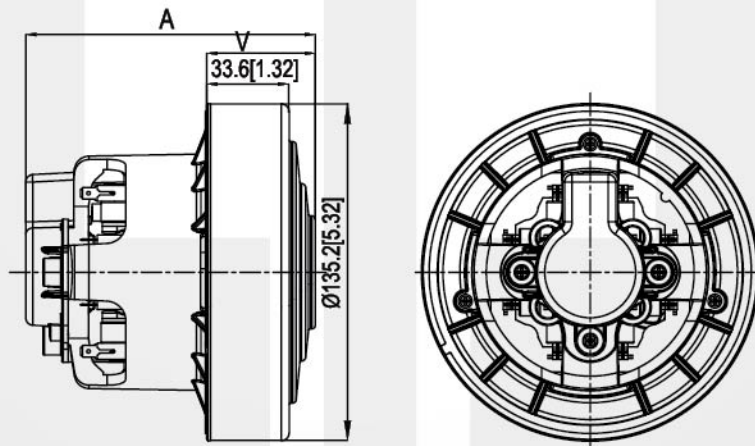
Voltage : 230V AC (50/60Hz)  
 Rated Speed : 32,000 - 45,000rpm  
 Rated Input Power : 610W  
 Blower Diameter :  $\varnothing$ 135.2mm[5.32inch]  
 Stage : Single  
 Suction : 25.6KPa [101.0in-H2O]  
 Volume Flow Rate : 54.7dm<sup>3</sup>/s [116.0CFM]  
 Typical Application : Vacuum Cleaner, Hand Dryer

\*Switched Reluctance Motor (SRM)

### Performance Curve



### Dimension (mm[inch])



### Performance (testing under room temperature)

Model	Dim A mm[inch]	Dim V mm[inch]	Stage	Rated Input Power (W)	Maximum		
					Suction KPa[in-H2O]	Output Power (W)	Volume Flow Rate (dm <sup>3</sup> /s[CFM])
BV213722	116.30[4.58]	44.10[1.74]	Single	1,300	25.6 [101.0]	480	54.7[116.0]

The information above is for reference only, detailed specification is subject to final confirmation