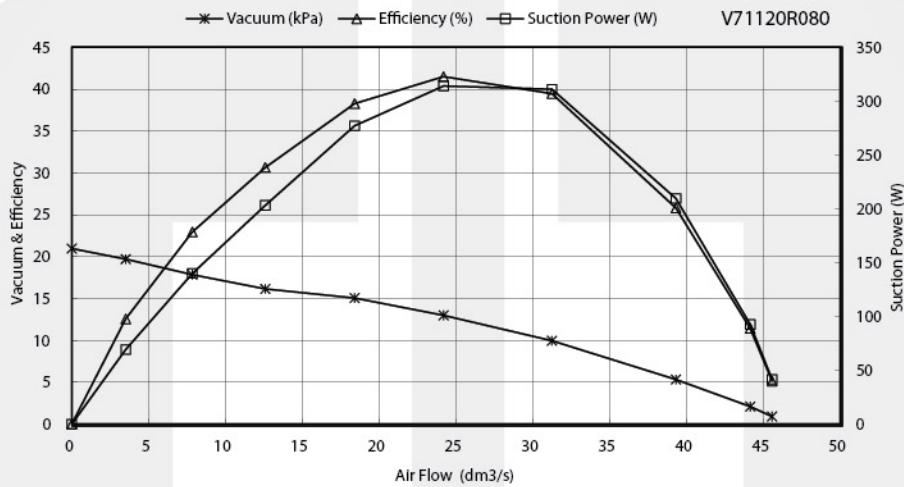




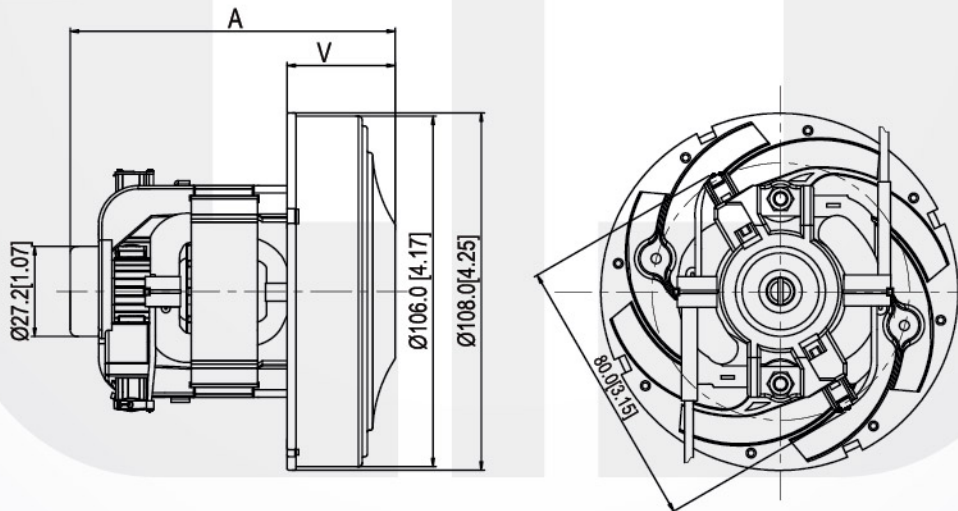
## VC Motor - V7 Through Flow Series

Voltage : 100 - 240V AC (50/60Hz)  
 Rated Speed : 35,000rpm  
 Rated Input Power : 800W  
 Blower Diameter : Ø108mm [4.25inch]  
 Stage : Single  
 Suction : 20.59KPa [82.68in-H2O]  
 Volume Flow Rate : 43.80dm<sup>3</sup>/s [92.81CFM]  
 Typical Application : Vacuum Cleaner

### Performance Curve



### Dimension (mm[inch])



### Performance (testing under room temperature)

Model	Dim A mm[inch]	Dim V mm[inch]	Stage	Rated Input Power (W)	Maximum		
					Suction KPa[in-H2O]	Output Power (W)	Volume Flow Rate (dm <sup>3</sup> /s[CFM])
V7112	98.0[3.86]	32.70[1.29]	Single	800	20.59[82.68]	300	43.80[92.81]

The information above is for reference only, detailed specification is subject to final confirmation