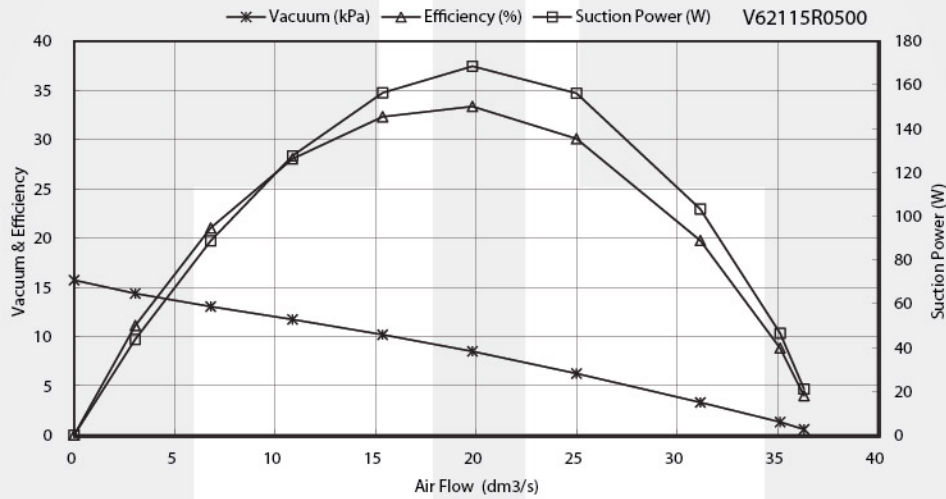




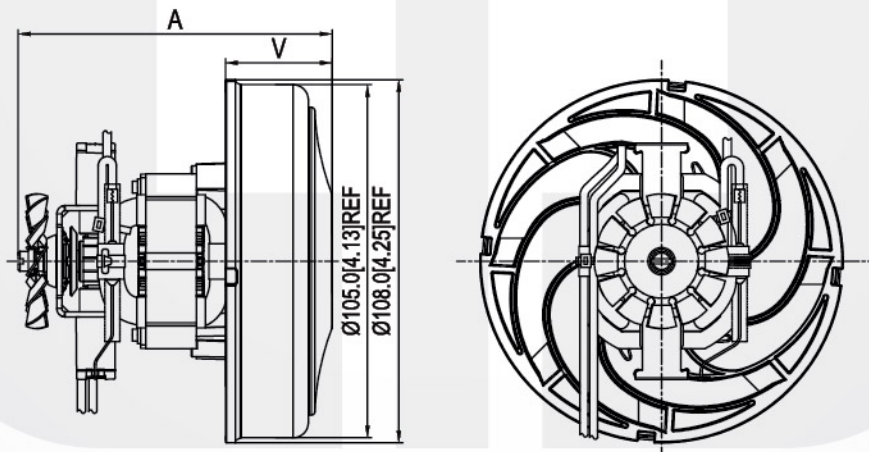
VC Motor - V6 Through Flow Series

Voltage : 100 - 240V AC (50/60Hz)
 Rated Speed : 18,000 - 45,000rpm
 Rated Input Power : 300 - 800W
 Blower Diameter : Ø108-110.4mm [4.25-4.35inch]
 Stage : Single
 Suction : 11.77KPa [47.24in-H2O]
 Volume Flow Rate : 31.50dm³/s [66.74CFM]
 Typical Application : Vacuum Cleaner, Hand Dryer

Performance Curve



Dimension (mm[inch])



Performance (testing under room temperature)

Model	Dim A mm[inch]	Dim V mm[inch]	Stage	Rated Input Power (W)	Maximum		
					Suction KPa[in-H2O]	Output Power (W)	Volume Flow Rate (dm ³ /s[CFM])
V62115	94.0[4.40]	32.0[4.40]	Single	400	11.77[47.24]	113	31.50[66.74]

The information above is for reference only, detailed specification is subject to final confirmation

Email: sales@cclmotors.com Website: <http://www.cclmotors.com>
 4/F, No. 6, On Lok Mun Street, On Lok Tsuen, Fanling, N.T., Hong Kong.

Tel: (852) 3125 0000 Fax: (852) 3125 0125