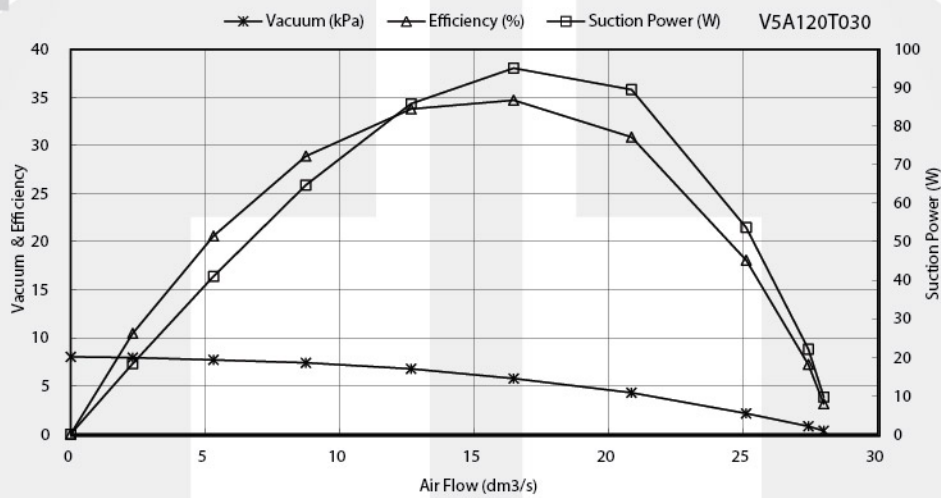




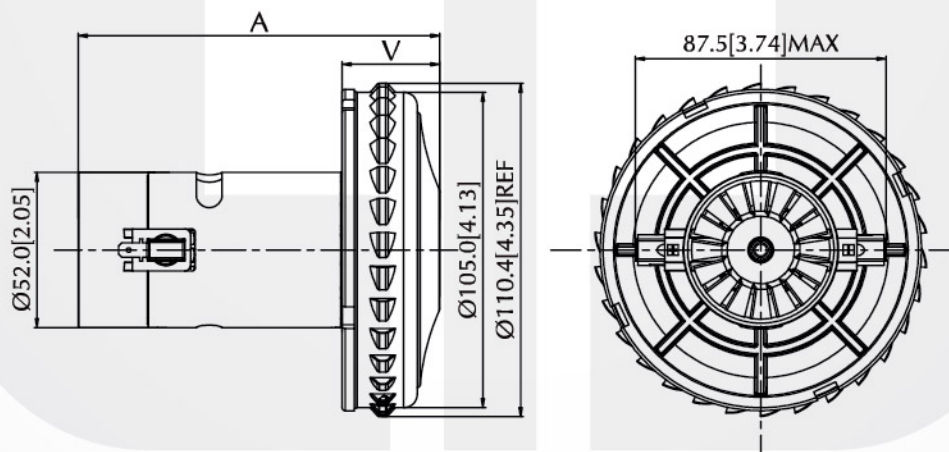
## VC Motor - V5 By Pass Series

Voltage : 12 - 36V DC  
 Rated Speed : 18,000 - 38,000rpm  
 Rated Input Power : 150 - 500W  
 Blower Diameter :  $\text{Ø}110.4\text{mm}$ [4.35inch]  
 Stage : Single  
 Suction : 10.6KPa [42.52in-H2O]  
 Volume Flow Rate :  $23.67\text{dm}^3/\text{s}$  [50.15CFM]  
 Typical Application : Vacuum Cleaner, Hand Dryer

### Performance Curve



### Dimension (mm[inch])



### Performance (testing under room temperature)

Model	Dim A mm[inch]	Dim V mm[inch]	Stage	Rated Input Power (W)	Maximum		
					Suction KPa[in-H2O]	Output Power (W)	Volume Flow Rate (dm³/s[CFM])
V5A120	120.5[4.74]	32.5[1.28]	Single	400	10.60[42.52]	107	23.67[50.15]

The information above is for reference only, detailed specification is subject to final confirmation

Email: [sales@cclmotors.com](mailto:sales@cclmotors.com) Website: <http://www.cclmotors.com>  
4/F, No. 6, On Lok Mun Street, On Lok Tsuen, Fanling, N.T., Hong Kong.

Tel: (852) 3125 0000 Fax: (852) 3125 0125