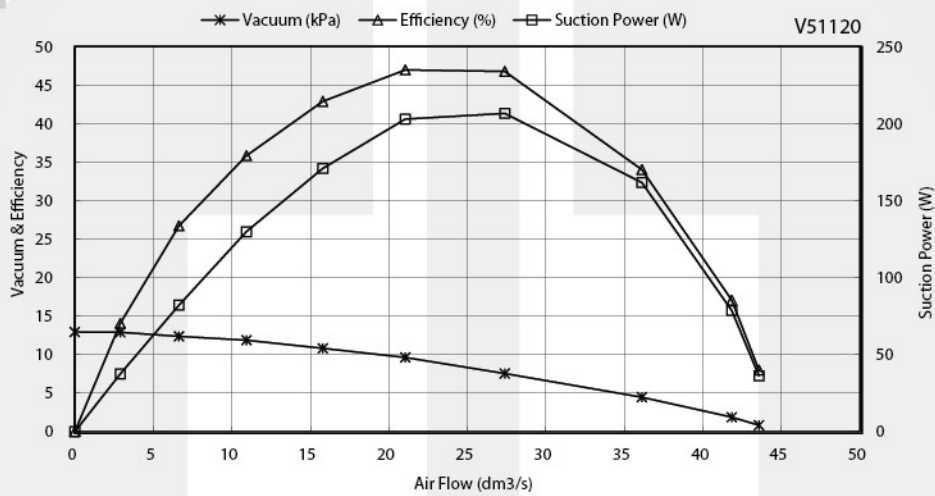




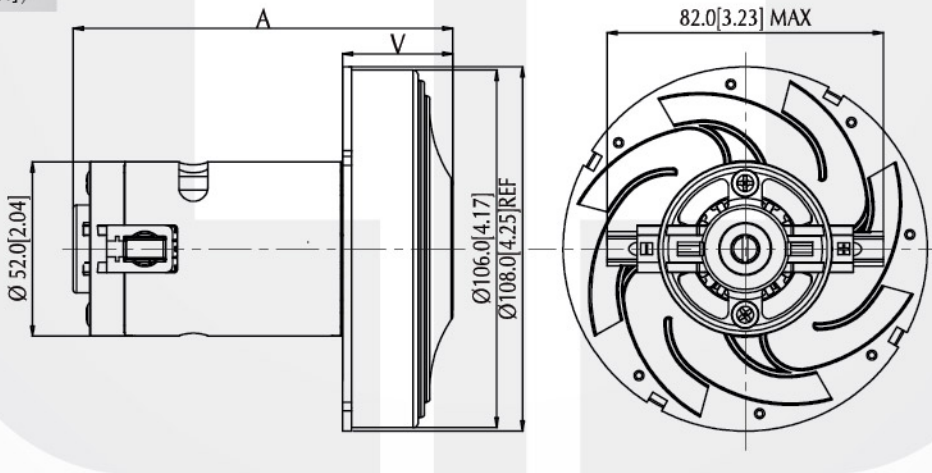
VC Motor - V5 Through Flow Series

Voltage : 12 - 36V DC
 Rated Speed : 15,000 - 38,000rpm
 Rated Input Power : 150 - 500W
 Blower Diameter : Ø106mm [4.17inch]
 Stage : Single
 Suction : 13.73KPa [55.12in-H2O]
 Volume Flow Rate : 44.50dm³/s [94.29CFM]
 Typical Application : Vacuum Cleaner, Hand Dryer

Performance Curve



Dimension (mm[inch])



Performance (testing under room temperature)

Model	Dim A mm[inch]	Dim V mm[inch]	Stage	Rated Input Power (W)	Maximum		
					Suction KPa[in-H2O]	Output Power (W)	Volume Flow Rate (dm ³ /s[CFM])
V51120	112.5[4.43]	32.7[1.29]	Single	500	13.73[55.12]	228	44.50[94.29]

The information above is for reference only, detailed specification is subject to final confirmation

Email: sales@cclmotors.com Website: <http://www.cclmotors.com>
 4/F, No. 6, On Lok Mun Street, On Lok Tsuen, Fanling, N.T., Hong Kong.

Tel: (852) 3125 0000 Fax: (852) 3125 0125