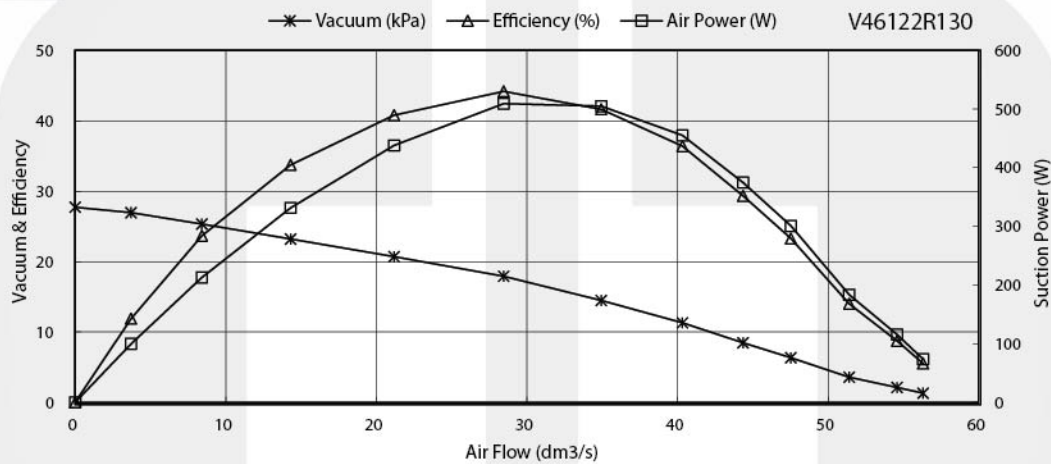


## VC Motor - V4 Through Flow Series

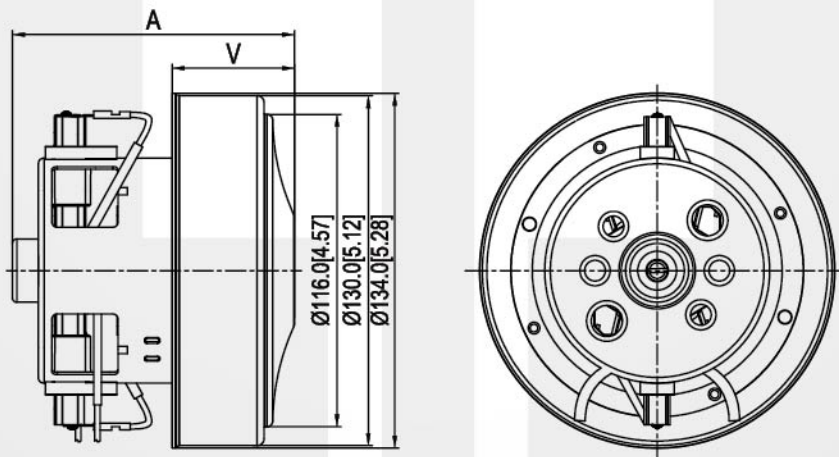


Voltage : 100 - 240V AC (50/60Hz)  
 Rated Speed : 25,000 - 48,000rpm  
 Rated Input Power : 300 - 1,700W  
 Blower Diameter :  $\varnothing$ 130-144.5mm[5.12-5.69inch]  
 Stage : Single  
 Suction : 31.38KPa [125.98in-H2O]  
 Volume Flow Rate : 58.5dm<sup>3</sup>/s [124.02CFM]  
 Typical Application : Vacuum Cleaner, Hand Dryer

### Performance Curve



### Dimension (mm[inch])



### Performance (testing under room temperature)

Model	Dim A mm[inch]	Dim V mm[inch]	Stage	Rated Input Power (W)	Maximum		
					Suction KPa[in-H2O]	Output Power (W)	Volume Flow Rate (dm <sup>3</sup> /s[CFM])
V46118	111.80[4.40]	45.50[1.79]	Single	1,000	24.52[98.43]	421	58.5[124.02]
V46122R	108.40[4.27]	46.20[1.82]	Single	1,700	31.38[125.98]	575	56.5[119.78]
V46122S	114.30[4.50]	40.80[1.61]	Single	1,300	23.71[95.20]	485	56.0[118.66]

The information above is for reference only, detailed specification is subject to final confirmation