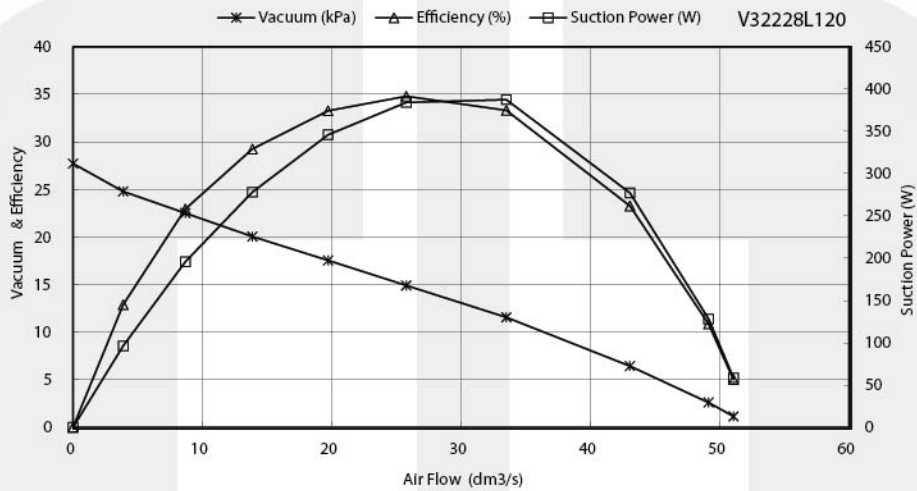




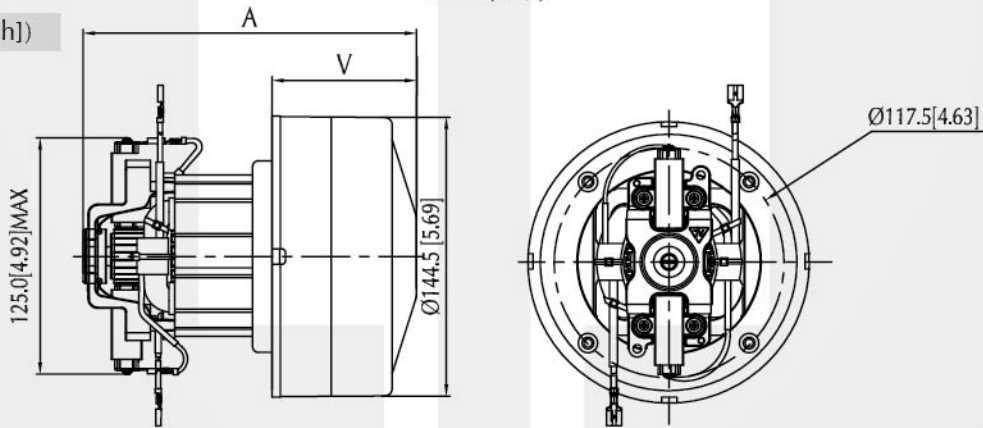
VC Motor - V3 Through Flow Series

Voltage : 100-240V AC (50/60Hz), 12-36V DC
 Rated Speed : 14,000 - 32,000rpm
 Rated Input Power : 300 - 1,700W
 Blower Diameter : Ø144.5-152.1mm[5.69-5.99inch]
 Stage : Single, Double
 Suction : 30.89KPa [124.02in-H2O]
 Volume Flow Rate : 65.0dm³/s [137.73CFM]
 Typical Application : Vacuum Cleaner

Performance Curve



Dimension (mm[inch])



Performance (testing under room temperature)

Model	Dim A mm[inch]	Dim V mm[inch]	Stage	Rated Input Power (W)	Maximum		
					Suction KPa[in-H2O]	Output Power (W)	Volume Flow Rate (dm ³ /s[CFM])
V36125	130.50[5.14]	59.0[2.32]	Single	1100	20.59[82.68]	350	65.0[137.73]
V36S20	127.50[5.02]	45.0[1.77]	Single	700	15.69[62.99]	200	50.0[105.94]
V36D28	143.30[5.64]	68.80[2.71]	Double	800	20.59[82.68]	250	45.0[95.35]
V32D28	156.0[6.14]	66.0[2.60]	Double	1000	24.52[98.43]	350	50.0[105.94]
V32228	151.0[5.94]	67.50[2.66]	Double	1200	26.97[108.27]	390	50.0[105.94]
V32D38	160.0[6.30]	66.50[2.62]	Double	1300	26.48[106.30]	500	60.0[127.13]
V32245	172.0[6.77]	72.50[2.85]	Double	1500	30.89[124.02]	575	60.0[127.13]

The information above is for reference only, detailed specification is subject to final confirmation