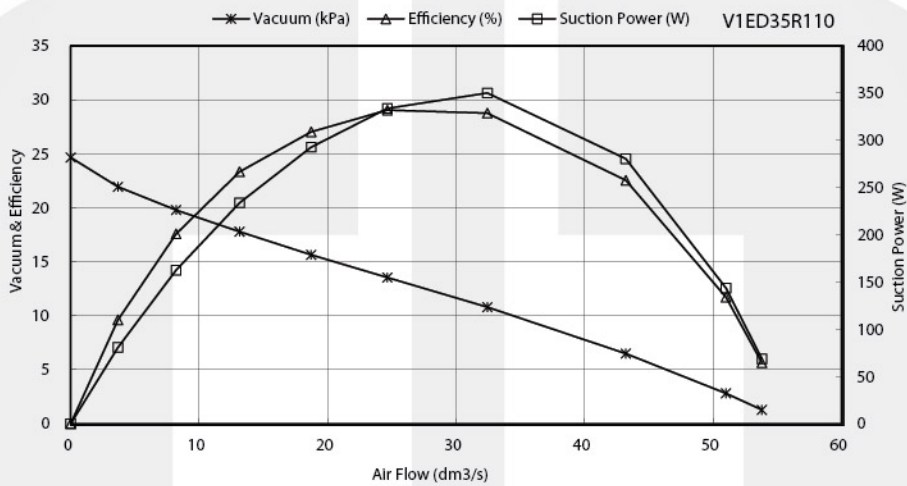




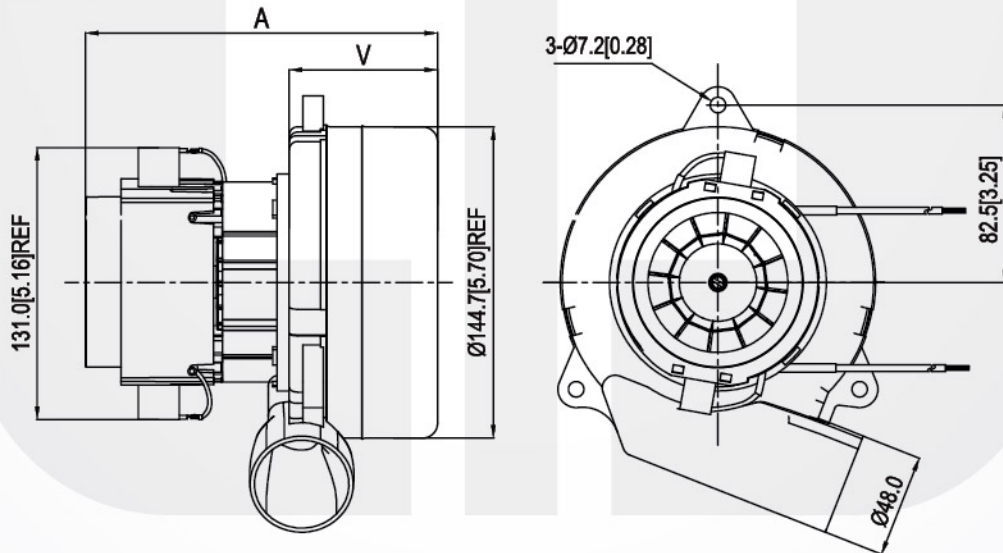
VC Motor - V1 By Pass (Tangential)

Voltage : 100-240V AC (50/60Hz), 12-36V DC
 Rated Speed : 14,000 - 30,000rpm
 Rated Input Power : 300 - 1,400W
 Blower Diameter : Ø143.3-151.0mm[5.64-5.94inch]
 Stage : Double
 Suction : 24.66KPa [99.02in-H2O]
 Volume Flow Rate : 53.5dm³/s [113.36CFM]
 Typical Application : Vacuum Cleaner

Performance Curve



Dimension (mm[inch])



Performance (testing under room temperature)

Model	Dim A mm[inch]	Dim V mm[inch]	Stage	Rated Input Power (W)	Maximum		
					Suction KPa[in-H2O]	Output Power (W)	Volume Flow Rate (dm³/s[CFM])
V1ED35	174.0[6.85]	69.30[2.73]	Double	1210	24.66[99.02]	350	53.5[113.36]

The information above is for reference only, detailed specification is subject to final confirmation

Email: sales@cclmotors.com Website: http://www.cclmotors.com
 4/F, No. 6, On Lok Mun Street, On Lok Tsuen, Fanling, N.T., Hong Kong.

Tel: (852) 3125 0000 Fax: (852) 3125 0125