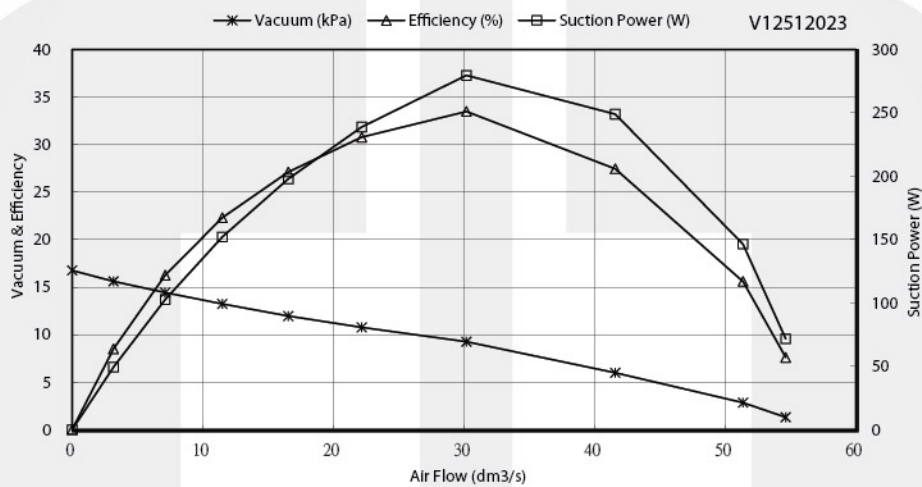




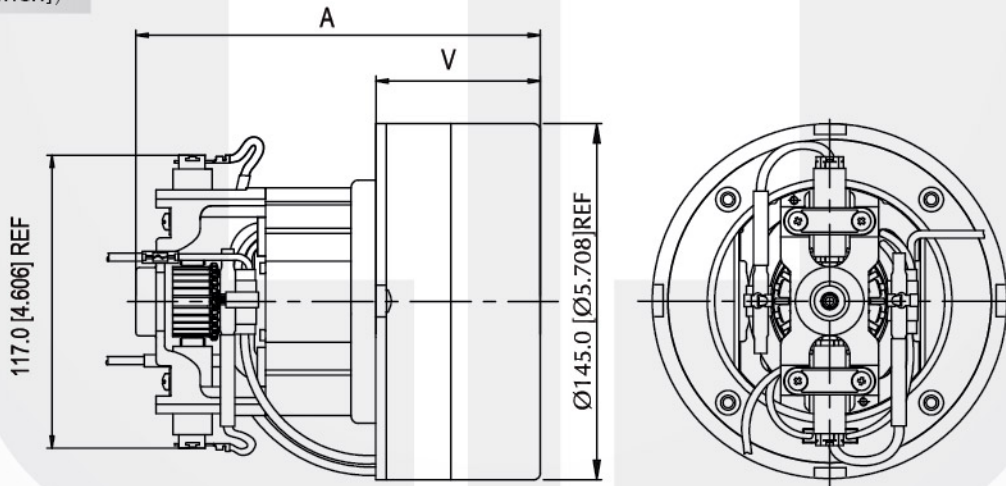
VC Motor - V1 Through Flow Series

Voltage : 100-240V AC (50/60Hz), 12-36V DC
 Rated Speed : 14,000 - 30,000rpm
 Rated Input Power : 300 - 1,400W
 Blower Diameter : \varnothing 143.3-151.0mm[5.64-5.94inch]
 Stage : Single, Double
 Suction : 27.46KPa [110.24in-H₂O]
 Volume Flow Rate : 55.0dm³/s [116.54CFM]
 Typical Application : Vacuum Cleaner

Performance Curve



Dimension (mm[inch])



Performance (testing under room temperature)

Model	Dim A mm[inch]	Dim V mm[inch]	Stage	Rated Input Power (W)	Maximum		
					Suction KPa[in-H ₂ O]	Output Power (W)	Volume Flow Rate (dm ³ /s[CFM])
V12120	125.5[4.94]	46[1.81]	Single	800	18.63[74.80]	275	55.0[116.54]
V12130	136.0[5.35]	46[1.81]	Single	1,200	23.54[94.49]	380	55.0[116.54]
V12D30	156.5[6.16]	66[2.60]	Double	1,000	23.54[94.49]	345	50.0[105.94]
V12D38	165.0[6.50]	66[2.60]	Double	1,400	27.46[110.24]	440	52.0[110.18]

The information above is for reference only, detailed specification is subject to final confirmation