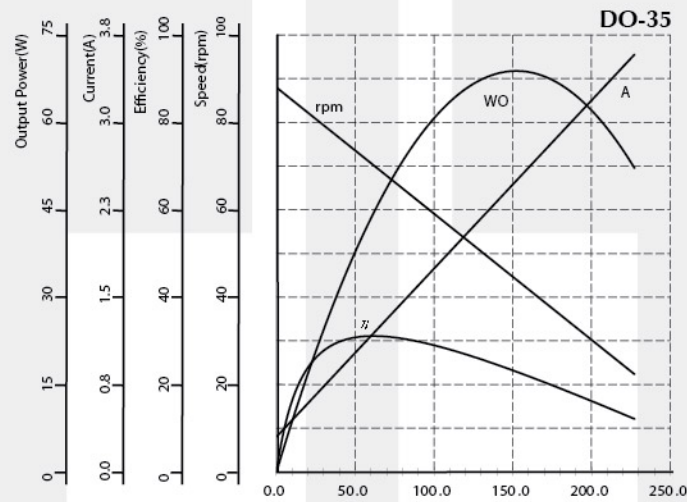




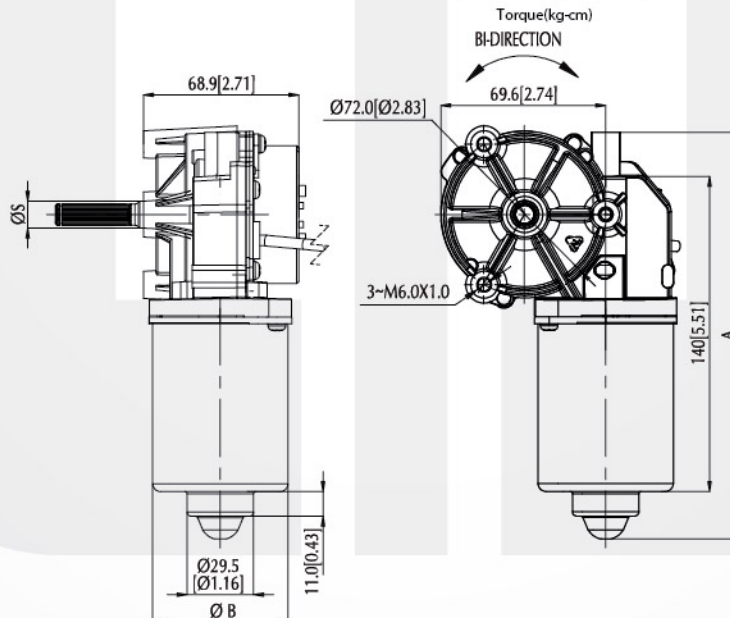
Gear Motor – High Voltage-DO Series

Voltage : 100 - 120V DC
 Rated Speed : 46 - 150rpm
 Rated Torque : 90.0kg-cm[78.3lb-in]
 Roted Input Power : 60 - 280W
 Insulation Class : A, E
 Motor Diameter : Ø60mm[2.36inch]
 Typical Application : Garage Door Opener

Performance Curve



Dimension (mm[inch])



Performance (testing under room temperature)

Model	Dim A mm[inch]	Dim B mm[inch]	Dim S mm[inch]	Rated Voltage (V DC)	No Load		At Maximum Efficiency				Maximum Power			
					Speed (rpm)	Current (A)	Speed (rpm)	Current (A)	Torque (kg-cm[lb-in])	Output (W)	Speed (rpm)	Current (A)	Torque (kg-cm[lb-in])	Output (W)
DO-35	180.0[7.09]	60.0[2.36]	12.0[0.47]	120	88	0.30	62	1.7	90.0 [78.3]	57.3	44	2.5	152.3 [132.2]	68.8

The information above is for reference only, detailed specification is subject to final confirmation

Email: sales@cclmotors.com Website: <http://www.cclmotors.com>
4/F, No. 6, On Lok Mun Street, On Lok Tsuen, Fanling, N.T., Hong Kong.

Tel: (852) 3125 0000 Fax: (852) 3125 0125