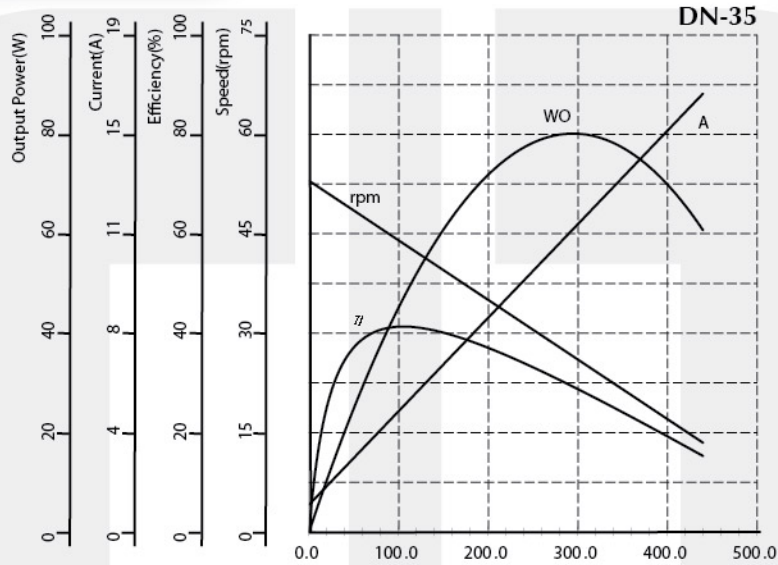




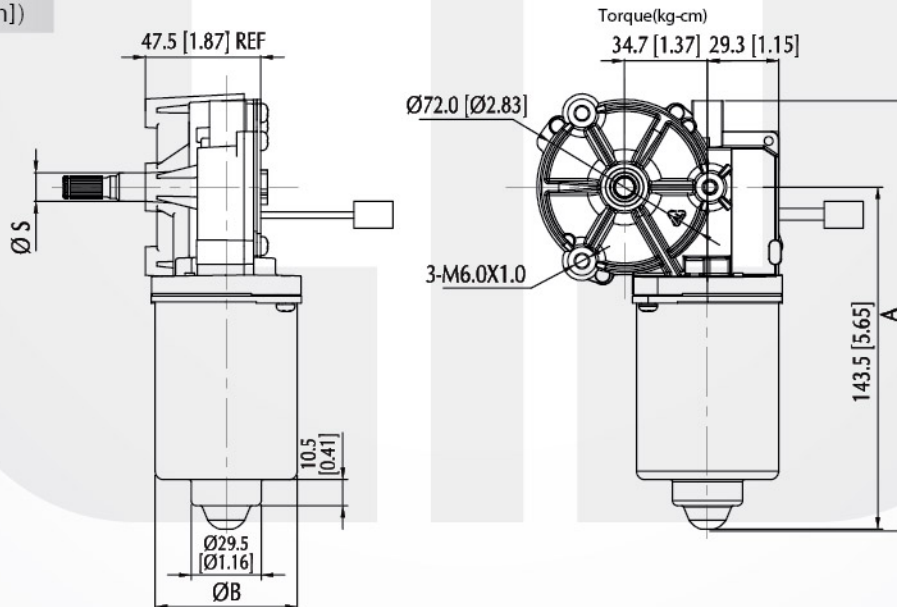
Gear Motor – Low Voltage-DN Series

Voltage : 6 - 36V DC
 Rated Speed : 46 - 150rpm
 Rated Torque : 100kg-cm[86.8lb-in]
 Roted Input Power : 9 - 160W
 Insulation Class : A, E
 Motor Diameter : Ø60mm[2.36inch]
 Typical Application : Garage Door Opener

Performance Curve



Dimension (mm[inch])



Performance (testing under room temperature)

Model	Dim A mm[inch]	Dim B mm[inch]	Dim S mm[inch]	Rated Voltage (V DC)	No Load		At Maximum Efficiency				Maximum Power			
					Speed (rpm)	Current (A)	Speed (rpm)	Current (A)	Torque (kg-cm[lb-in])	Output (W)	Speed (rpm)	Current (A)	Torque (kg-cm[lb-in])	Output (W)
DN-35	180.0[7.09]	60.0[2.36]	12.0[0.47]	24	53	1.027	44	4.56	100[86.8]	45	26	11	294[255.5]	79

The information above is for reference only, detailed specification is subject to final confirmation