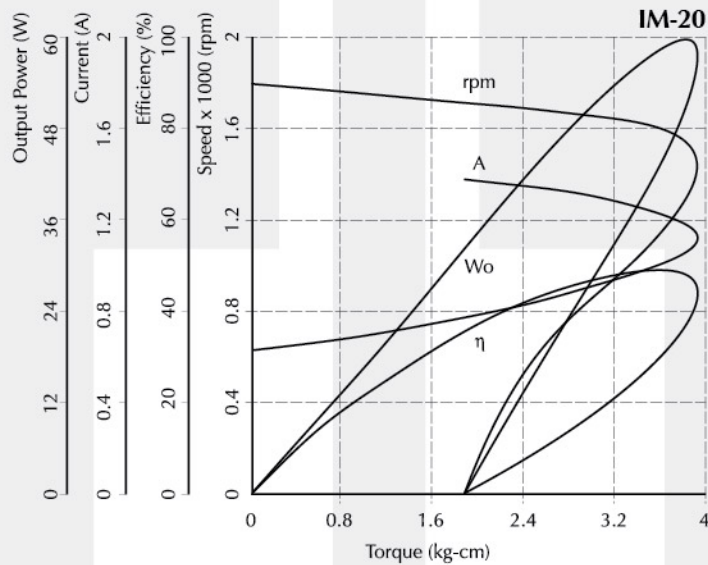




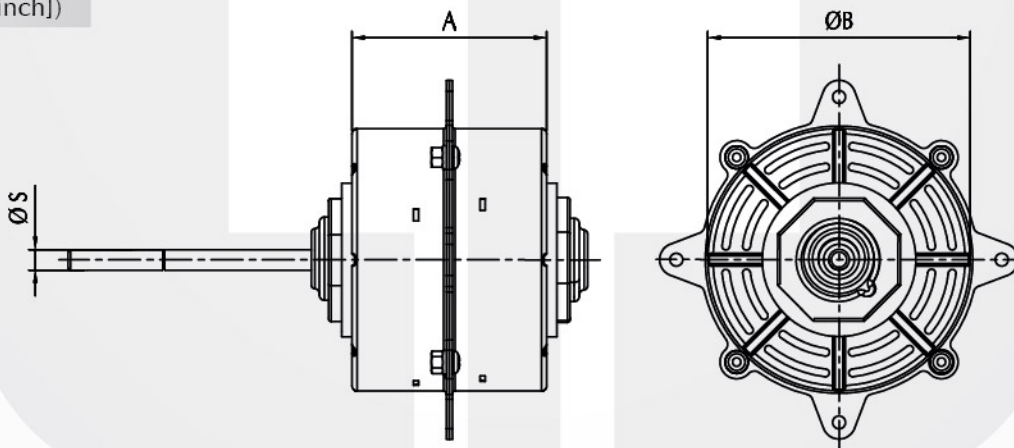
Induction Motor - IM Series

Voltage : 100 - 240V AC (50/60Hz)
 Rated Speed : 3,200rpm (2pole), 1,400rpm (4pole)
 900rpm (6pole)
 Rated Output Power: 50 - 220W
 Insulation Class : A, E, B, F
 Motor Diameter : \varnothing 102.4mm[4.03inch]
 Typical Application : Air Purifier, Juice Extractor

Performance Curve



Dimension (mm[inch])



Performance (testing under room temperature)

Model	Dim A mm[inch]	Dim B mm[inch]	Dim S mm[inch]	4 Pole			6 Pole			8 Pole		
				Rated Input Power (W)	Rated Output Power (W)	Breakdown Torque (kg-cm[lb-in])	Rated Input Power (W)	Rated Output Power (W)	Breakdown Torque (kg-cm[lb-in])	Rated Input Power (W)	Rated Output Power (W)	Breakdown Torque (kg-cm[lb-in])
IM-20	76[2.99]	102.4 [4.03]	8.0 [0.31]	128	64	2.0 [1.74]	120	60	3.0 [2.61]	110	50	3.0 [2.61]
IM-30	76[2.99]	102.4 [4.03]	8.0 [0.31]	200	100	3.0 [2.61]	180	90	4.0 [3.48]	160	70	4.0 [3.48]
IM-35	101[3.98]	102.4 [4.03]	8.0 [0.31]	340	220	4.0 [3.48]	210	130	4.5 [3.92]	180	90	4.5 [3.92]

The information above is for reference only, detailed specification is subject to final confirmation

Email: sales@cclmotors.com Website: <http://www.cclmotors.com>
4/F, No. 6, On Lok Mun Street, On Lok Tsuen, Fanling, N.T., Hong Kong.

Tel: (852) 3125 0000 Fax: (852) 3125 0125