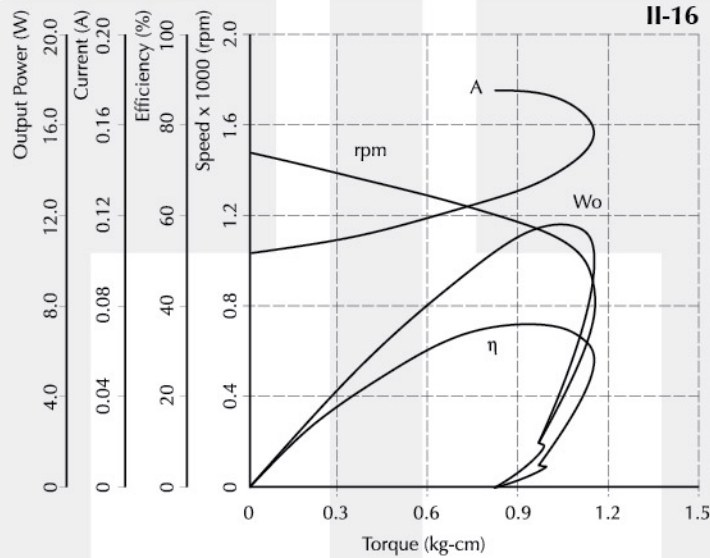




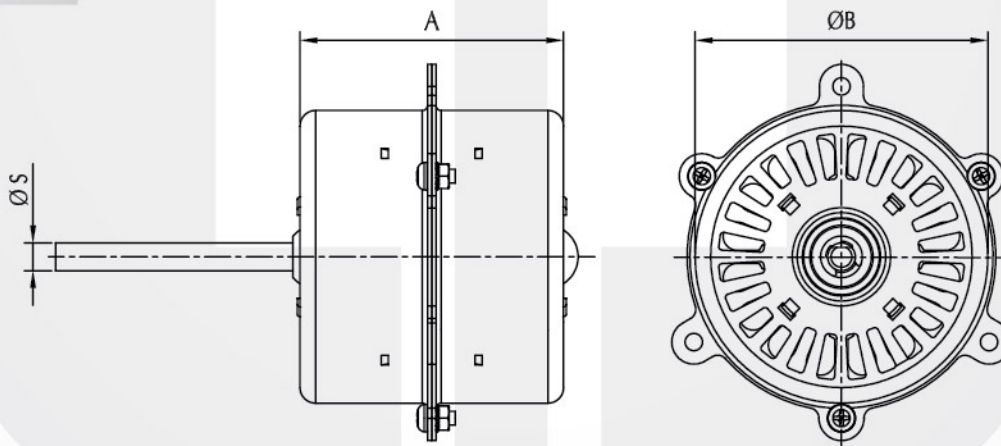
Induction Motor - II Series

Voltage : 100 - 240V AC (50/60Hz)
 Rated Speed : 3,300rpm (2pole), 1,400rpm (4pole)
 Rated Output Power: 12 - 33W
 Insulation Class : A, E, B, F
 Motor Diameter : $\varnothing 84.4\text{mm}$ [3.32inch]
 Typical Application : Air Purifier / Freshener

Performance Curve



Dimension (mm[inch])



Performance (testing under room temperature)

Model	Dim A mm[inch]	Dim B mm[inch]	Dim S mm[inch]	2 Pole			4 Pole		
				Rated Input Power (W)	Rated Output Power (W)	Breakdown Torque (kg-cm[lb-in])	Rated Input Power (W)	Rated Output Power (W)	Breakdown Torque (kg-cm[lb-in])
II-12	64 [2.52]	84.4 [3.32]	8.0 [0.31]	35	15	0.6 [0.52]	40	12	1.2 [1.04]
II-16	76 [2.99]	84.4 [3.32]	8.0 [0.31]	48	20	0.8 [0.70]	50	15	1.5 [1.31]
II-21	76 [2.99]	84.4 [3.32]	8.0 [0.31]	60	25	1.0 [0.87]	60	18	1.8 [1.57]
II-25	76 [2.99]	84.4 [3.32]	8.0 [0.31]	72	33	1.5 [1.31]	70	21	2.1 [1.83]

The information above is for reference only, detailed specification is subject to final confirmation

Email: sales@cclmotors.com Website: <http://www.cclmotors.com>
 4/F, No. 6, On Lok Mun Street, On Lok Tsuen, Fanling, N.T., Hong Kong.

Tel: (852) 3125 0000 Fax: (852) 3125 0125