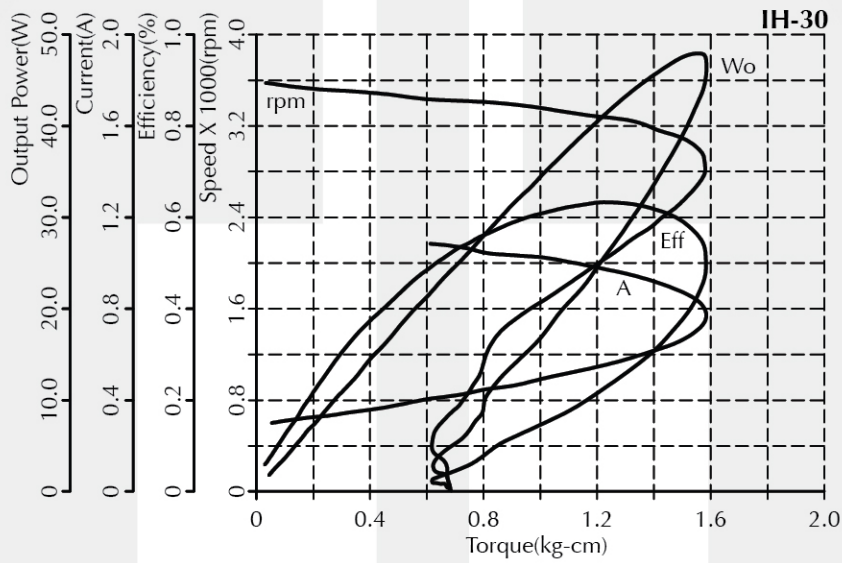




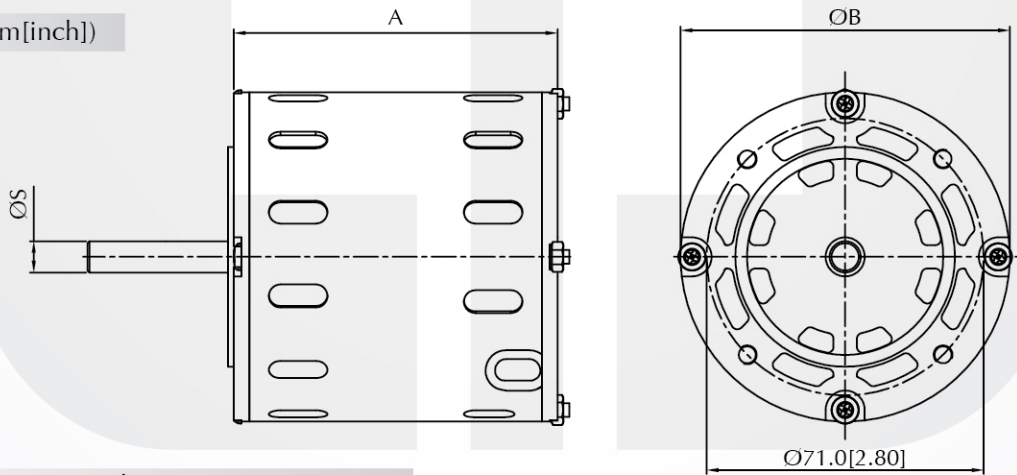
## Induction Motor - IH Series

Voltage : 100 - 240V AC (50/60Hz)  
 Rated Speed : 3,300rpm (2pole), 1,400rpm (4pole)  
 Rated Output Power: 50 - 70W  
 Insulation Class : A, E, B, F  
 Motor Diameter : Ø84mm[3.31inch]  
 Typical Application : Food Processor, Garage Door Opener, Pump

### Performance Curve



### Dimension (mm[inch])



### Performance (testing under room temperature)

Model	Dim A mm[inch]	Dim B mm[inch]	Dim S mm[inch]	2 Pole			4 Pole		
				Rated Input Power (W)	Rated Output Power (W)	Breakdown Torque (kg-cm[lb-in])	Rated Input Power (W)	Rated Output Power (W)	Breakdown Torque (kg-cm[lb-in])
IH-30	83 [3.27]	84 [3.31]	8.0 [0.31]	80	50	1.6 [1.39]	75	50	2.0 [1.74]
IH-35	89 [3.50]	84 [3.31]	8.0 [0.31]	100	55	2.0 [1.74]	95	55	2.5 [2.17]
IH-45	95 [3.74]	84 [3.31]	8.0 [0.31]	120	70	3.0 [2.61]	115	70	3.5 [3.04]

The information above is for reference only, detailed specification is subject to final confirmation