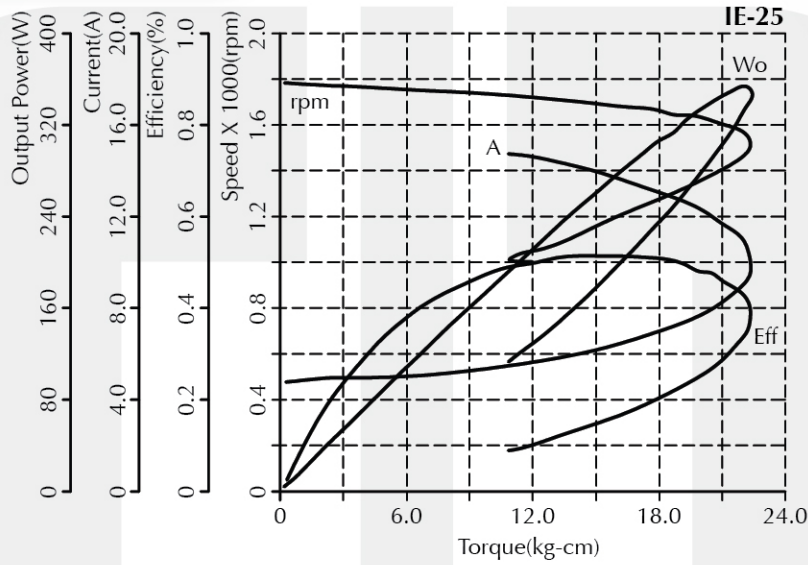


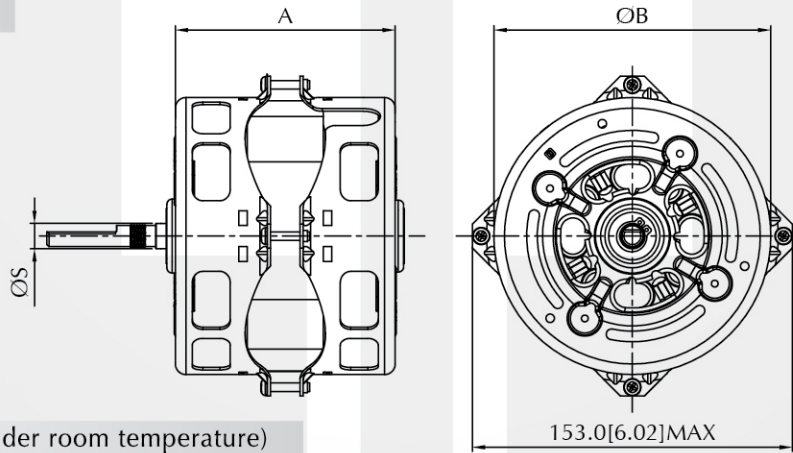
## Induction Motor - IE Series

Voltage : 100 - 240V AC (50/60Hz)  
 Rated Speed : 1,400rpm (4pole)  
 Rated Output Power: 200 - 360W  
 Insulation Class : A, E, B, F  
 Motor Diameter : Ø131mm[5.16inch]  
 Typical Application : Food Processor

Performance Curve



Dimension (mm[inch])



Performance (testing under room temperature)

Model	Dim A mm[inch]	Dim B mm[inch]	Dim S mm[inch]	4 Pole		
				Rated Input Power (W)	Rated Output Power (W)	Breakdown Torque (kg-cm[lb-in])
IE-25	95 [3.74]	131 [5.16]	12 [0.472]	380	190	20 [17.40]
IE-28	95 [3.74]	131 [5.16]	12 [0.472]	400	205	22 [19.14]
IE-30	97 [3.82]	131 [5.16]	12 [0.472]	420	235	24 [20.88]
IE-36	106 [4.06]	131 [5.16]	12 [0.472]	455	260	30 [26.10]
IE-40	106 [4.06]	131 [5.16]	12 [0.472]	520	295	35 [30.45]
IE-40	117.5 [4.63]	131 [5.16]	12 [0.472]	600	345	40 [34.8]
IE-60	127 [5.0]	131 [5.16]	12 [0.472]	680	390	43 [37.41]

The information above is for reference only, detailed specification is subject to final confirmation