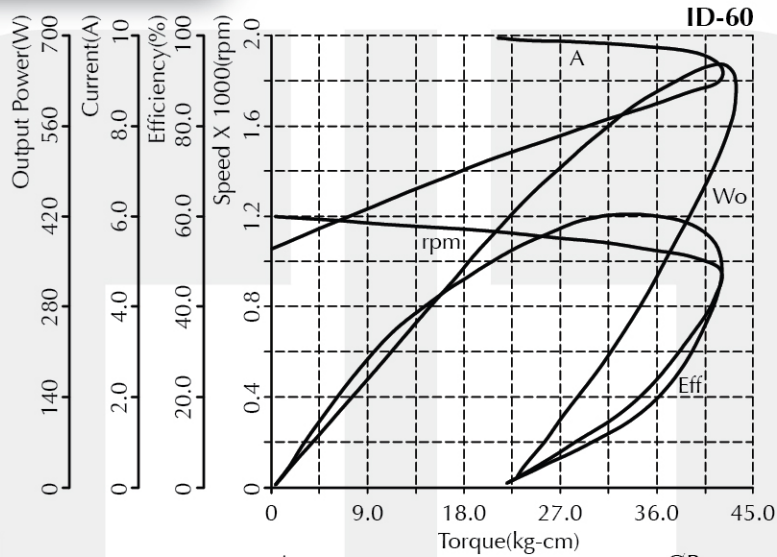


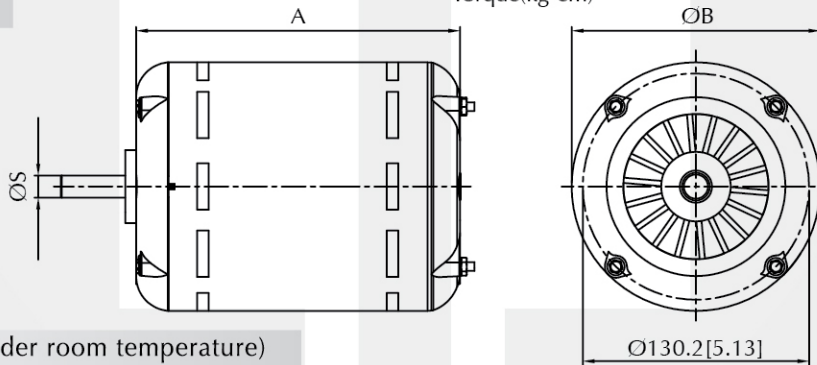
Induction Motor - ID Series

Voltage : 100 - 240V AC (50/60Hz)
 Rated Speed : 3,000rpm (2pole), 1,400rpm (4pole)
 1,000rpm (6pole)
 Rated Output Power: 148 - 865W
 Insulation Class : A, E, B, F
 Motor Diameter : Ø143mm[5.63inch]
 Typical Application : Home Laundry Equipment, Furnaces Blower,
 Condenser, Direct Drive Blower and Fan,
 Ventilation Fan, Garage Door Opener

Performance Curve



Dimension (mm[inch])



Performance (testing under room temperature)

Model	Dim A mm[inch]	Dim B mm[inch]	Dim S mm[inch]	2 Pole			4 Pole			6 Pole		
				Rated Input Power (W)	Rated Output Power (W)	Breakdown Torque (kg-cm[lb-in])	Rated Input Power (W)	Rated Output Power (W)	Breakdown Torque (kg-cm[lb-in])	Rated Input Power (W)	Rated Output Power (W)	Breakdown Torque (kg-cm[lb-in])
ID-30	121 - 161[4.76 - 6.34]	143 [5.63]	12.7-15.875 [0.500-0.625]	480	288	11[9.57]	333	183	15[13.05]	286	148	17[14.79]
ID-32	123/163[4.84 - 6.42]			524	314	12[10.44]	400	220	18[15.66]	353	183	21[18.27]
ID-35	126/166[4.96 - 6.54]			590	354	14[12.18]	445	245	20[17.40]	403	210	24[20.88]
ID-40	131/171[5.16 - 6.73]			699	419	16[13.92]	556	306	25[21.75]	487	253	29[25.23]
ID-45	136/176[5.35 - 6.93]			786	472	18[15.66]	645	355	29[25.23]	571	297	34[29.58]
ID-50	141/181[5.55 - 7.13]			873	524	20[17.40]	756	416	34[29.58]	672	349	40[34.80]
ID-55	146/186[5.94 - 7.52]			961	576	22[19.14]	845	465	38[33.06]	739	384	44[38.28]
ID-60	151/191[5.94 - 7.52]			1048	629	24[20.88]	934	514	42[36.54]	806	419	48[41.76]
ID-65	156/196[6.14 - 7.72]			1135	681	26[22.62]	1023	562	46[40.02]	890	463	53[46.11]
ID-70	161/201[6.34 - 7.91]			1123	734	28[24.36]	1112	611	50[43.50]	957	498	57[49.59]
ID-75	166/206[6.54 - 8.11]			1310	786	30[26.10]	1201	660	54[46.98]	1025	533	61[53.07]
ID-80	171/211[6.73 - 8.31]			1441	865	33[28.71]	1289	709	58[50.46]	1092	568	65[56.55]

The information above is for reference only, detailed specification is subject to final confirmation