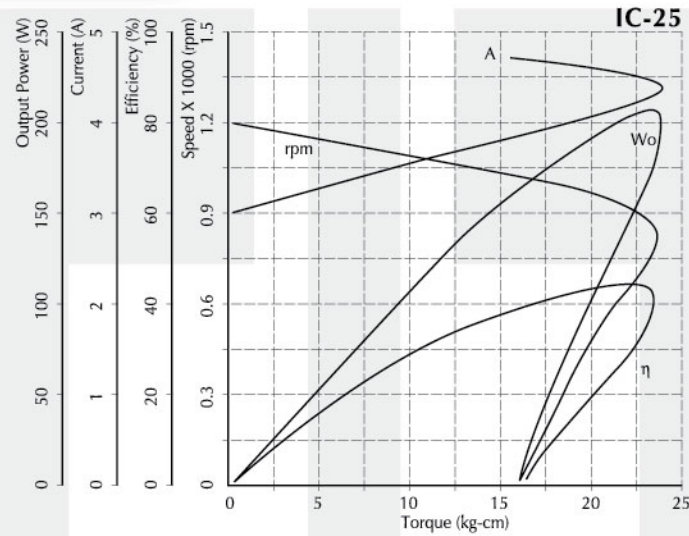




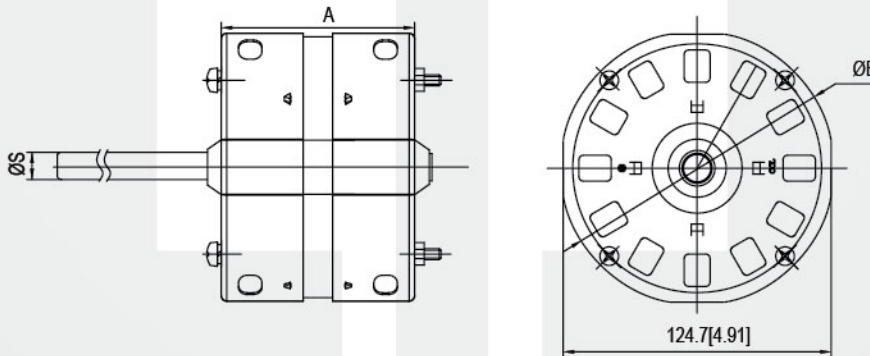
Induction Motor - IC Series

Voltage : 100 - 240V AC (50/60Hz)
 Rated Speed : 3,000rpm (2pole), 1,400rpm (4pole)
 1,000rpm (6pole), 700rpm (8pole)
 Rated Output Power: 46 - 472W
 Insulation Class : A, E, B, F
 Motor Diameter : $\varnothing 127.3\text{mm}[5.01\text{inch}]$
 Typical Application : Air Conditioner, Food Processor, Ventilation Fan, Blower,
 Garage Door Opener, Air Curtain

Performance Curve



Dimension (mm[inch])



Performance (testing under room temperature)

Model	Dim A mm[inch]	Dim B mm[inch]	Dim S mm[inch]	2 Pole			4 Pole			6 Pole			8 Pole		
				Rated Input Power (W)	Rated Output Power (W)	Breakdown Torque (kg-cm)[lb-in]	Rated Input Power (W)	Rated Output Power (W)	Breakdown Torque (kg-cm)[lb-in]	Rated Input Power (W)	Rated Output Power (W)	Breakdown Torque (kg-cm)[lb-in]	Rated Input Power (W)	Rated Output Power (W)	Breakdown Torque (kg-cm)[lb-in]
IC-15	80[3.15]	127.3[5.01]	12.7[0.50]	167	92	3.5[3.41]	122	61	5.0[4.35]	126	57	6.5[5.66]	109	46	7.5[6.53]
IC-20	85[3.35]	127.3[5.01]	12.7[0.50]	238	131	5.0[4.35]	196	98	8.0[6.96]	184	83	9.5[8.27]	153	64	10.5[9.14]
IC-25	90[3.54]	127.3[5.01]	12.7[0.50]	333	183	7.0[6.09]	269	135	11.0[9.57]	262	118	13.5[11.75]	211	89	14.5[12.62]
IC-30	95[3.74]	127.3[5.01]	12.7[0.50]	476	262	10.0[8.70]	367	183	15.0[13.05]	349	157	18.0[15.66]	277	116	19.0[16.53]
IC-35	100[3.94]	127.3[5.01]	12.7[0.50]	572	314	12.0[10.44]	489	245	20.0[17.40]	427	192	22.0[19.14]	349	147	24.0[20.88]
IC-40	105[4.13]	127.3[5.01]	12.7[0.50]	667	367	14.0[12.18]	562	281	23.0[20.01]	524	236	27.0[23.49]	422	177	29.0[25.23]
IC-45	110[4.33]	127.3[5.01]	12.7[0.50]	762	419	16.0[13.92]	660	330	27.0[23.49]	602	271	31.0[26.97]	480	202	33.0[28.71]
IC-51	116[4.57]	127.3[5.01]	12.7[0.50]	858	472	18.0[15.66]	734	367	30.0[26.10]	679	306	35.0[30.45]	539	226	37.0[32.19]

The information above is for reference only, detailed specification is subject to final confirmation