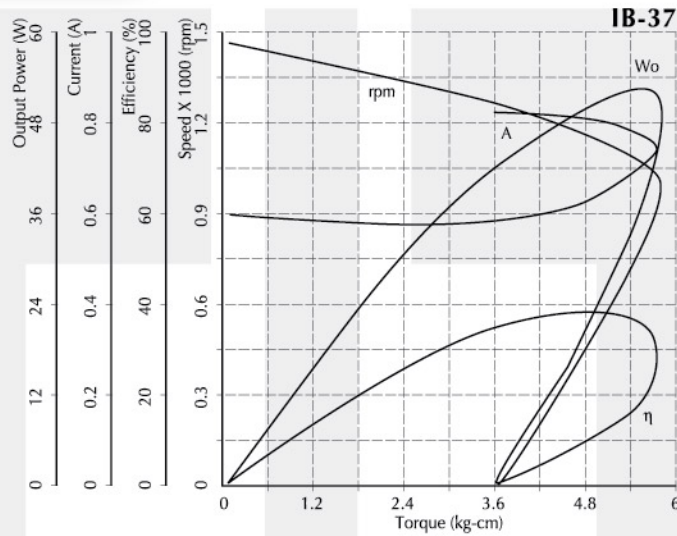




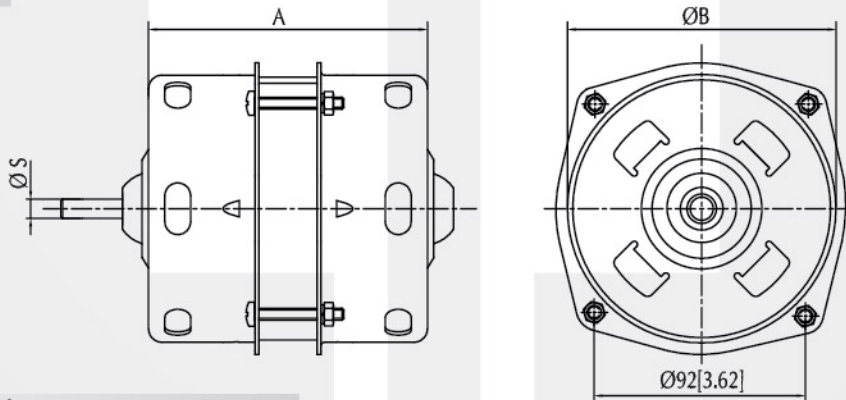
Induction Motor - IB Series

Voltage : 100 - 240V AC (50/60Hz)
 Rated Speed : 3,000rpm (2pole), 1,400rpm (4pole)
 Rated Output Power: 24 - 131W
 Insulation Class : A, E, B, F
 Motor Diameter : Ø82.4mm[3.24inch]
 Typical Application : Ventilation Fan, Air Freshener, Slicer, Pump, Massager

Performance Curve



Dimension (mm[inch])



Performance (testing under room temperature)

Model	Dim A mm[inch]	Dim B mm[inch]	Dim S mm[inch]	2 Pole			4 Pole		
				Rated Input Power (W)	Rated Output Power (W)	Breakdown Torque (kg-cm[lb-in])	Rated Input Power (W)	Rated Output Power (W)	Breakdown Torque (kg-cm[lb-in])
IB-15	71 [2.80]	82.4 [3.24]	10 [0.39]	71	26	1.0[0.87]	61	24	2.0 [1.74]
IB-20	76 [2.99]	82.4 [3.24]	10 [0.39]	92	34	1.3[1.13]	76	31	2.5 [2.18]
IB-25	81 [3.19]	82.4 [3.24]	10 [0.39]	120	45	1.7[1.48]	92	37	3.0 [2.61]
IB-30	86 [3.39]	82.4 [3.24]	10 [0.39]	142	52	2.0[1.74]	116	46	3.8 [3.31]
IB-37	93 [3.66]	82.4 [3.24]	10 [0.39]	212	79	3.0[2.61]	144	57	4.7 [4.09]
IB-41	97 [3.82]	82.4 [3.24]	10 [0.39]	241	89	3.4[2.96]	159	64	5.2 [4.52]
IB-45	101 [3.98]	82.4 [3.24]	10 [0.39]	262	97	3.7[3.22]	177	71	5.8 [5.05]
IB-51	107 [4.21]	82.4 [3.24]	10 [0.39]	354	131	5.0[4.35]	229	92	7.5 [6.53]

The information above is for reference only, detailed specification is subject to final confirmation