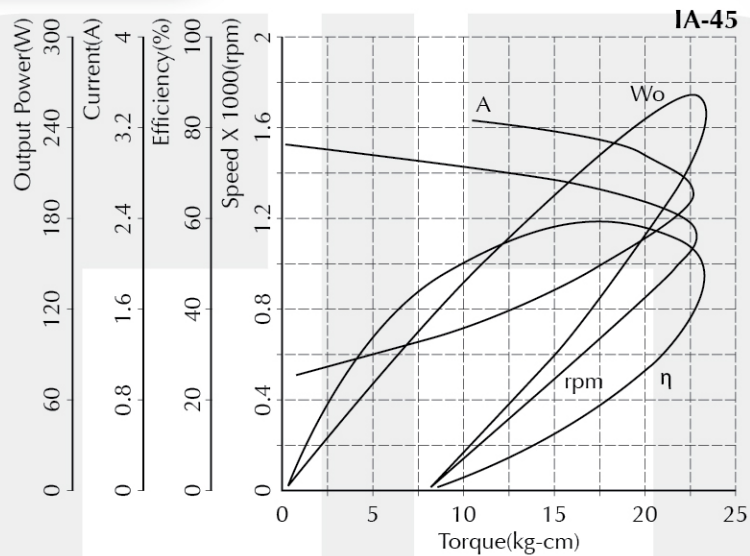




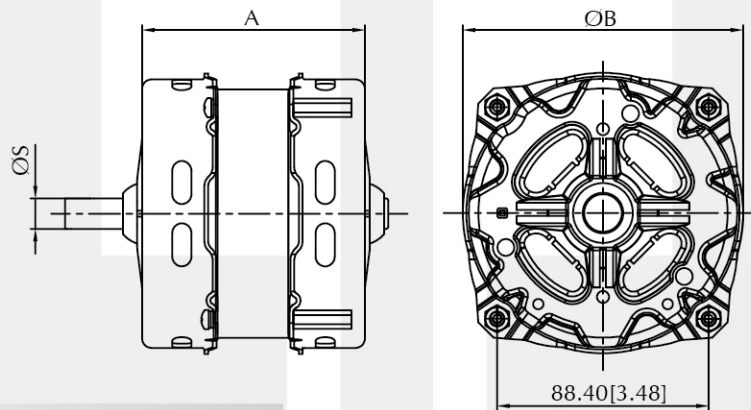
Induction Motor - IA Series

Voltage : 100 - 240V AC (50/60Hz)
 Rated Speed : 2,750rpm (2pole) / 1,400rpm (4pole)
 Rated Output Power: 67 - 245W
 Insulation Class : A, E, B, F
 Motor Diameter : Ø112mm[4.41inch]
 Typical Application : Air Purifier, Bread Maker, Blower, Food Processor,
 Garage Door Opener

Performance Curve



Dimension (mm[inch])



Performance (testing under room temperature)

Model	Dim A mm[inch]	Dim B mm[inch]	Dim S mm[inch]	2 Pole			4 Pole		
				Rated Input Power (W)	Rated Output Power (W)	Breakdown Torque (kg-cm[lb-in])	Rated Input Power (W)	Rated Output Power (W)	Breakdown Torque (kg-cm[lb-in])
IA-15	78 [3.070]	117 [4.606]	12.7 [0.5]/10 [0.394]	162	80	4.0 [3.48]	135	67	5.5 [4.79]
IA-20	83 [3.268]	117 [4.606]	12.7 [0.5]/10 [0.394]	235	117	6.5 [5.66]	196	98	8.0 [6.96]
IA-25	88 [3.465]	117 [4.606]	12.7 [0.5]/10 [0.394]	308	157	9.0 [7.83]	257	128	10.5 [9.14]
IA-30	93 [3.660]	117 [4.606]	12.7 [0.5]/10 [0.394]	348	180	11.0 [9.57]	290	144	12.0 [10.44]
IA-32	95 [3.740]	117 [4.606]	12.7 [0.5]/10 [0.394]	370	195	12.0 [10.44]	310	155	13.5 [11.75]
IA-35	98 [3.858]	117 [4.606]	12.7 [0.5]/10 [0.394]	390	207	13.5 [11.75]	325	170	15.0 [13.05]
IA-40	103 [4.055]	117 [4.606]	12.7 [0.5]/10 [0.394]	426	234	16.5 [14.36]	355	190	19.5 [16.97]
IA-45	108 [4.252]	117 [4.606]	12.7 [0.5]/10 [0.394]	468	358	20.5 [17.84]	390	220	23.0 [20.01]

The information above is for reference only, detailed specification is subject to final confirmation