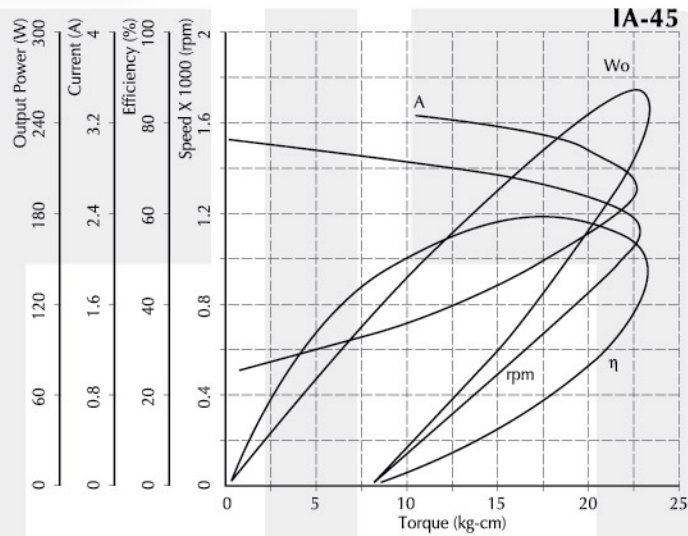




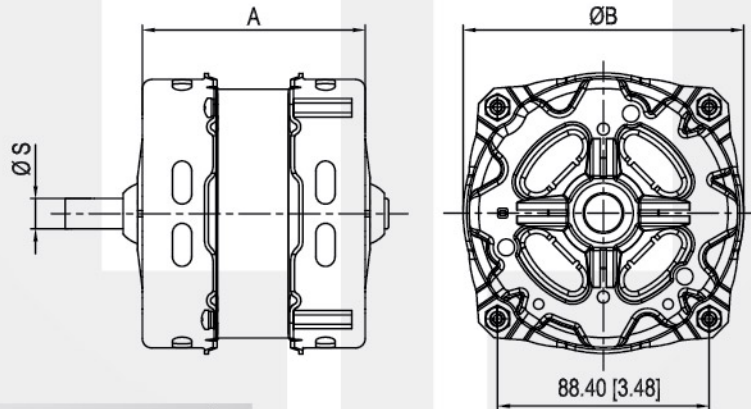
## Induction Motor - IA Series

Voltage : 100 - 240V AC (50/60Hz)  
 Rated Speed : 1,400rpm (4pole)  
 Rated Output Power: 49 - 245W  
 Insulation Class : A, E, B, F  
 Motor Diameter : Ø112mm[4.41inch]  
 Typical Application : Ventilation Fan, Air Purifier, Garage Door Opener,  
 Blower, Bread Maker

### Performance Curve



### Dimension (mm[inch])



### Performance (testing under room temperature)

Model	Dim A mm[inch]	Dim B mm[inch]	Dim S mm[inch]	4 Pole		
				Rated Input Power (W)	Rated Output Power (W)	Breakdown Torque (kg-cm[lb-in])
IA-10	73 [2.874]	112.0 [4.409]	12.7 [0.5]	98	49	4.0 [3.48]
IA-15	78 [3.070]	112.0 [4.409]	12.7 [0.5]	135	67	5.5 [4.79]
IA-20	83 [3.268]	112.0 [4.409]	12.7 [0.5]	196	98	8.0 [6.96]
IA-25	88 [3.465]	112.0 [4.409]	12.7 [0.5]	257	128	10.5 [9.14]
IA-30	93 [3.660]	112.0 [4.409]	12.7 [0.5]	293	147	12.0 [10.44]
IA-35	98 [3.858]	112.0 [4.409]	12.7 [0.5]	367	183	15.0 [13.05]
IA-40	103 [4.055]	112.0 [4.409]	12.7 [0.5]	416	208	17.0 [14.79]
IA-45	108 [4.252]	112.0 [4.409]	12.7 [0.5]	489	245	20.0 [17.40]

The information above is for reference only, detailed specification is subject to final confirmation